

F|S

FABRICS-STORE.COM

*Our linen is nothing short of addicting*

# JANE SHIRTDRESS



## SUMMERY STRIPES

*If you feel like your wardrobe needs a lot more buttons and collars, then you'll love our notched collar shirtdress! Effortlessly chic, yet feminine.*

Multi-Sized Tiled/Layered PDF Pattern

866.620.2008 [ASK@FABRICS-STORE.COM](mailto:ASK@FABRICS-STORE.COM) [FABRICS-STORE.COM](http://FABRICS-STORE.COM)

---

# JANE PATTERN

---

*Practice sewing a collar, adding facings, attaching yokes and patch pockets and stitching buttonholes. And even though this pattern is classified as intermediate, beginner sewists should not be scared to try!*

*Sized for ladies 0/2 to 28/30*

*Simple step-by-step instructions on our blog  
“The Thread” at [Fabrics-Store.com](http://Fabrics-Store.com)*

---

PICTURED: MASHA WEARING IL042 90I PREMIER FINISH 5.1 OZ STRIPED LINEN.



Our lovely model Masha is wearing size 4/6 of this style with no adjustments.

# PATTERN DETAILS



## *Jane Shirtdress*

Sizes: 0/2 to 28/30  
"Loose Fit"

#FabricStoreJanePattern

## SIZING & YARDAGE

## SEWING INSTRUCTIONS

This pattern is featured on our blog "The Thread" at [Fabric-Store.com](http://Fabric-Store.com). There you will find step-by-step photo instructions and can ask questions, post comments, or share your progress. Simply visit: [blog.fabric-store.com](http://blog.fabric-store.com) and enter "Jane Pattern" in the search box.

Ladies Size Guide Based on Body Measurements in Inches

Size	0/2	4/6	8/10	12/14	16/18	20/22	24/26	28/30
Bust	33-34	35-36	37-38	39-40	42-44	46-48	50-52	54-56
Waist	25-26	27-28	29-30	31-32	34-36	38-40	42-44	46-48
Hip	35-36	37-38	39-40	41-42	44-46	48-50	52-54	56-58

Finished Garment Measurements - Approximate in Inches

Size	0/2	4/6	8/10	12/14	16/18	20/22	24/26	28/30
Bust	38	40	42.5	45	49	53	57.5	62
Waist	38	40	42.5	45	49	53	57.5	62
Hips	63	65	67.5	70	74	78	82.5	87
Garment Length	41 1/4	42	42 3/4	43 1/2	44 1/4	45	45 3/4	46 1/2
Sleeve Opening	15 1/4	15 1/2	15 7/8	16 1/4	16 3/4	18 1/4	18 7/8	19 1/2

Estimated Yardage - 54" Width Linen

Size	0/2	4/6	8/10	12/14	16/18	20/22	24/26	28/30
Yardage*	3			3.25				

\*Allow up to 10% extra fabric for shrinkage

ALL SEAM ALLOWANCES ARE INCLUDED AND NOTED ON THE PATTERN

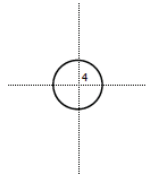
## “Jane” Sewing Pattern

For sewing instructions visit: [blog.fabrics-store.com](http://blog.fabrics-store.com) and enter “Jane Pattern” in the search bar.

2 Inch  
Square to  
Check Print  
Accuracy

**PRINT ONLY THIS PAGE FIRST TO CHECK SCALE**  
IMPORTANT! PRINT AT ACTUAL SIZE OR 100% SCALE

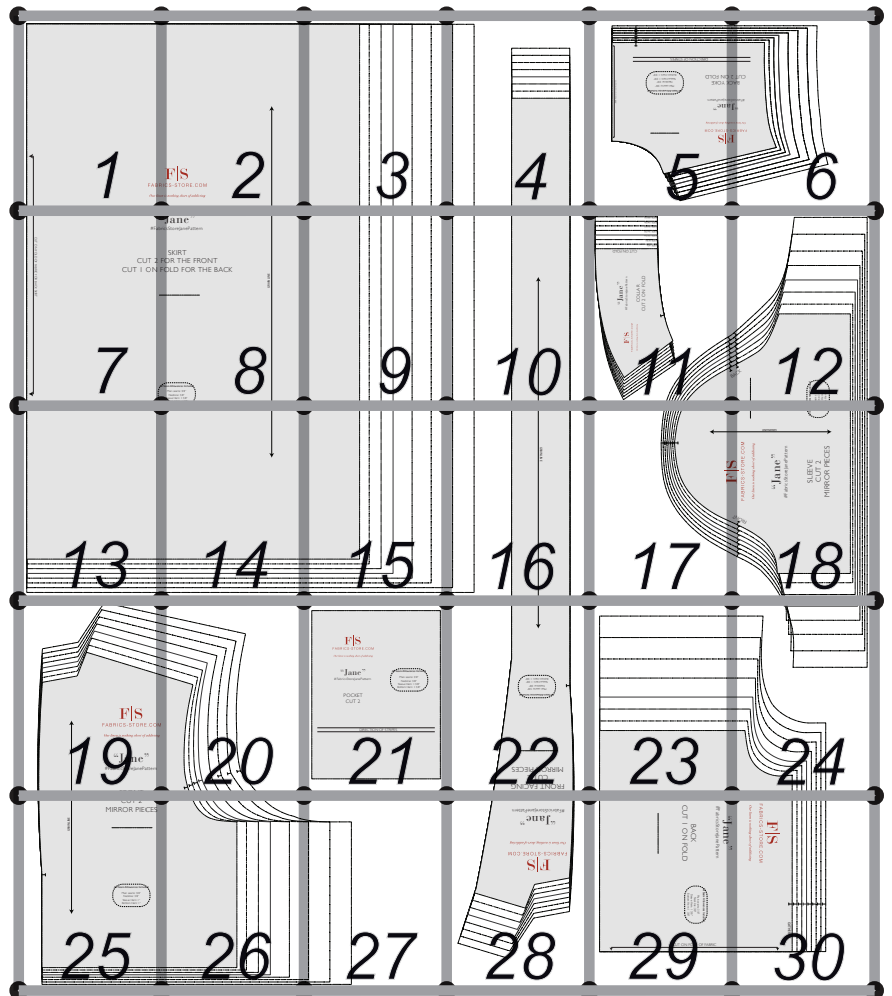
Formatted for paper sizes A4 and Letter.



Simply overlap the page margins and align the markings in each corner to complete the circle and tape in place.

### Layered PDF:

This pattern has embedded layers so you can print all sizes or a single size. See your .pdf viewers 'Layers' menu



### All Seam Allowances Included

Main seams: 3/8"  
Neckline: 3/8"  
Sleeve Hem: 1"  
Bottom Hem: 1"

For sewing instructions visit: [blog.fabrics-store.com](http://blog.fabrics-store.com) and enter “Jane Pattern” in the search bar.

1

FABR

*Our line*



F|S

ICS-STORE.COM

*n is nothing short of addicting*

2

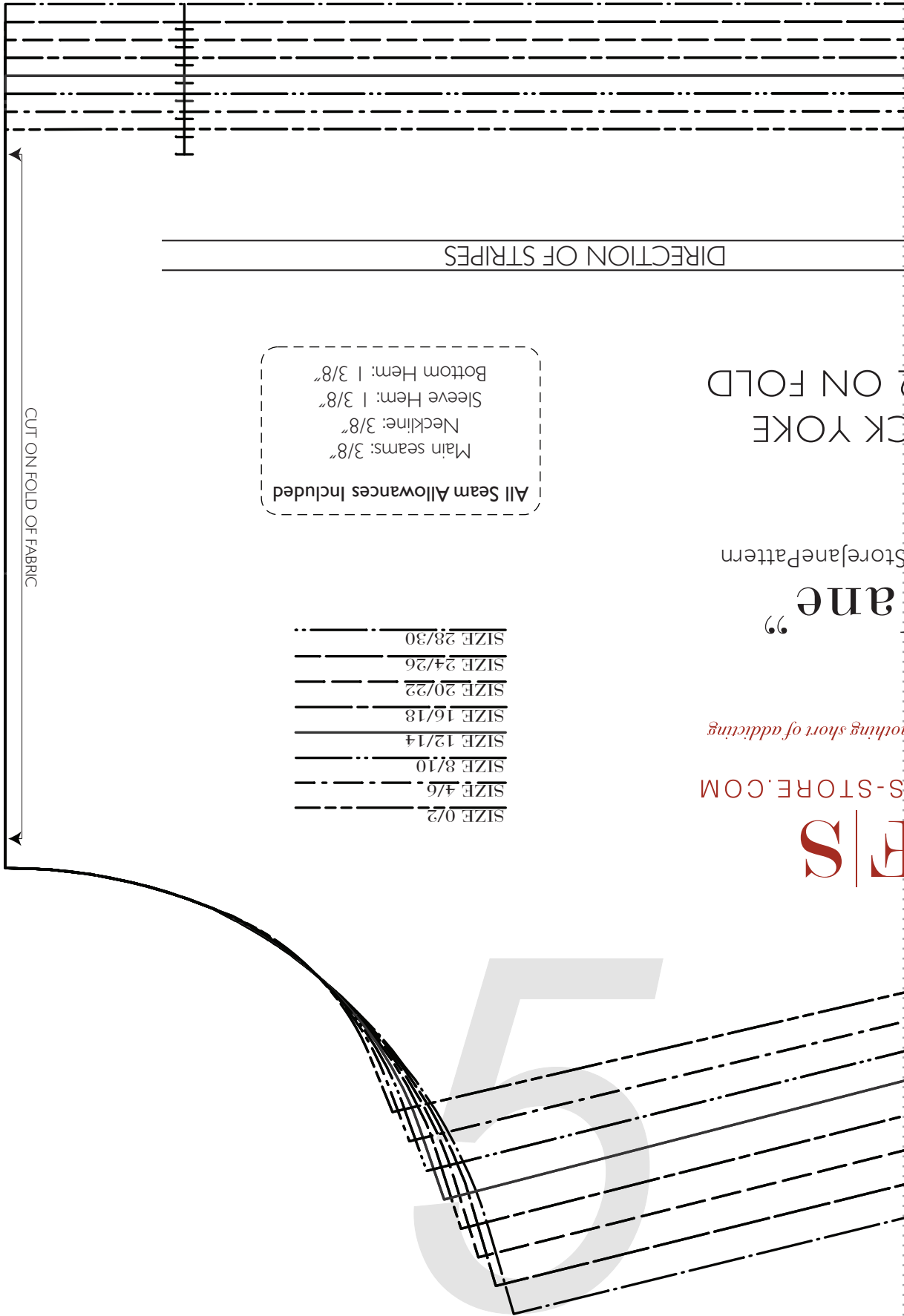


3



Blank vertical writing area with a dashed midline.

Vertical writing area with a dashed midline and a large gray number 4 at the bottom.



DIRECTION OF STRIPES

All Seam Allowances Included  
 Main seams: 3/8"  
 Neckline: 3/8"  
 Sleeve Hem: 1 3/8"  
 Bottom Hem: 1 3/8"

CUT ON FOLD OF FABRIC

- SIZE 0/2
- SIZE 4/6
- SIZE 8/10
- SIZE 12/14
- SIZE 16/18
- SIZE 20/22
- SIZE 24/26
- SIZE 28/30

CK YOKE  
 ON FOLD

StorejanePattern

ane

othing short of adding

S-STORE.COM

F|S

5



\_\_\_\_\_

CUT 2  
BAG

#Fabrics

“

*Our linen is*

FABRIC

I

6

#Fab

CUT 2  
CUT 1 ON F

CUT ON FOLD OF FABRIC FOR BACK SKIRT



# Jane™

ricsStoreJanePattern

## SKIRT FOR THE FRONT FOLD FOR THE BACK

- SIZE 0/2
- SIZE 4/6
- SIZE 8/10
- SIZE 12/14
- SIZE 16/18
- SIZE 20/22
- SIZE 24/26
- SIZE 28/30

GRAINLINE



### All Seam Allowances Included

- Main seams: 3/8"
- Neckline: 3/8"
- Sleeve Hem: 1 3/8"
- Bottom Hem: 1 3/8"

9

10



# “Jane”

#FabricStoreJanePattern

**F|S**

FABRICS-STORE.COM

*Our linen is nothing short of addictive*

COLLAR  
CUT 2 ON FOLD

CUT ON FOLD

SIZE 28/30

SIZE 24/26

SIZE 20/22

SIZE 16/18

SIZE 12/14

SIZE 8/10

SIZE 4/6

SIZE 0/2

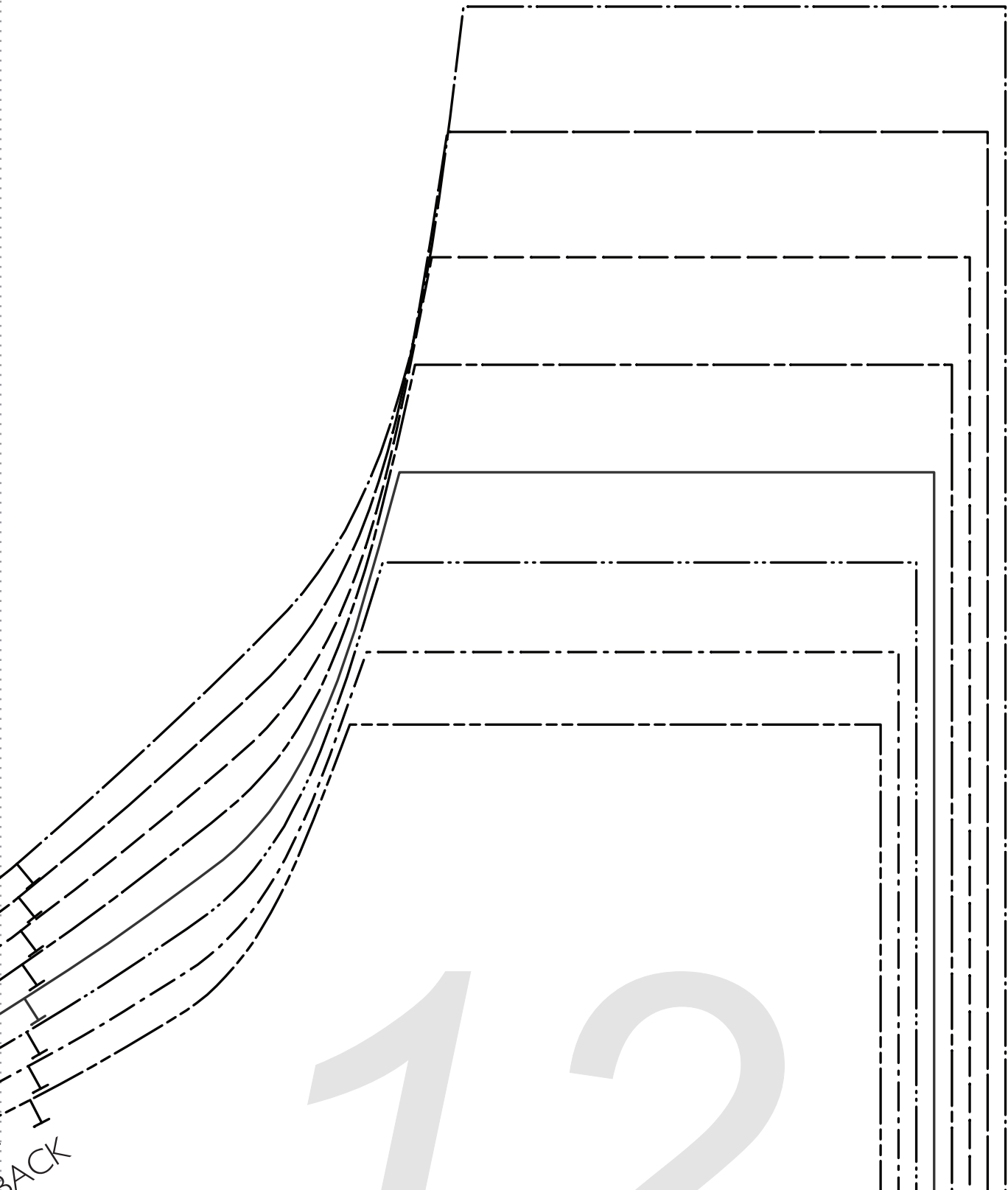
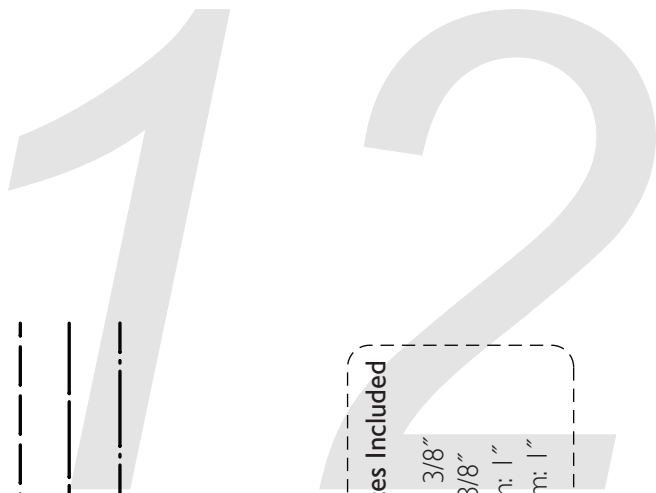


BACK

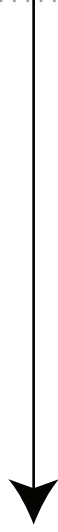
2  
6  
10  
14  
18  
22  
26  
30

Allowances Included

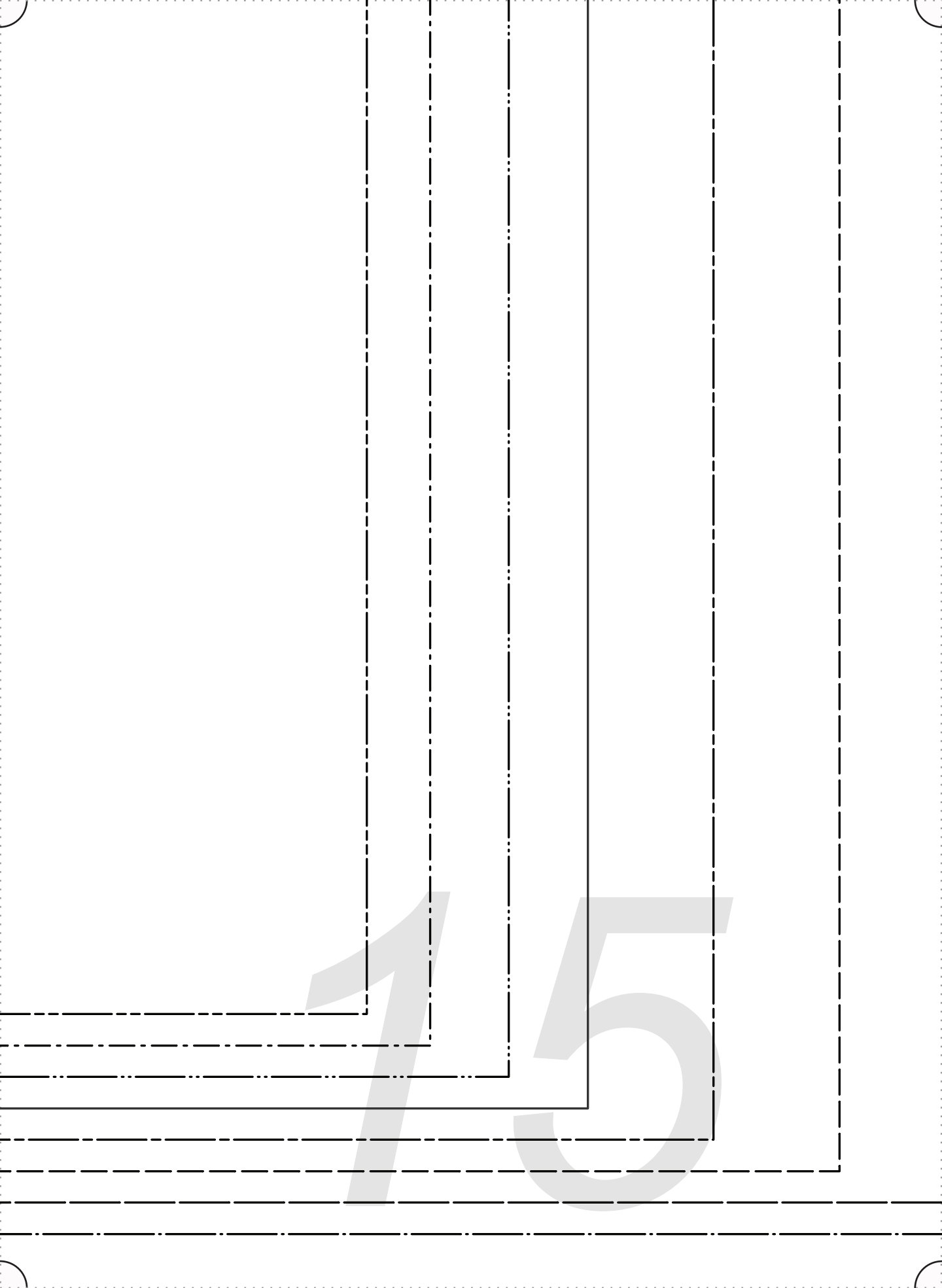
Sleeve Seams: 3/8"  
Neckline: 3/8"  
Sleeve Hem: 1"  
Bottom Hem: 1"



13



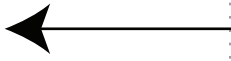
14



GRAINLINE

16

ES



17



FABRICS-STORE.COM

*Our linen is nothing short of addicting*

# “Jane”

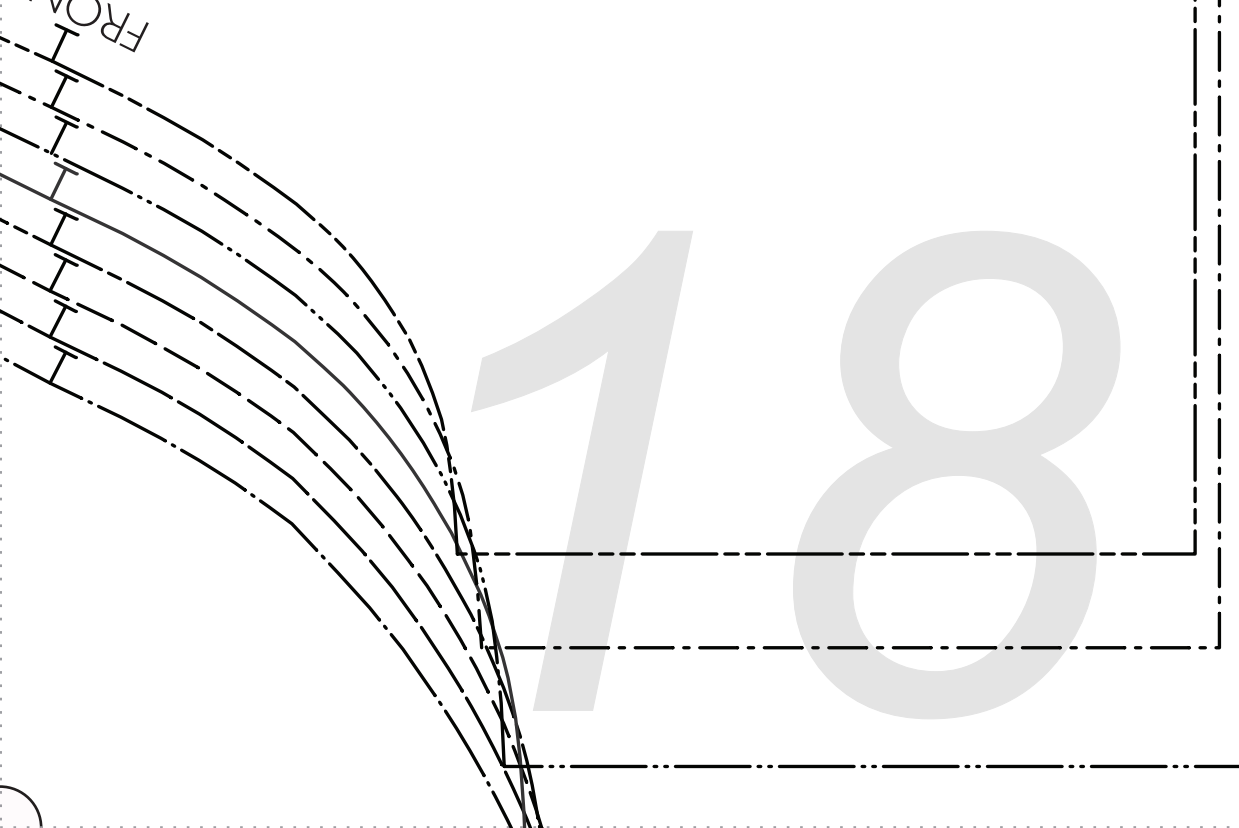
#FabricStoreJanePattern

SLEEVE

CUT 2

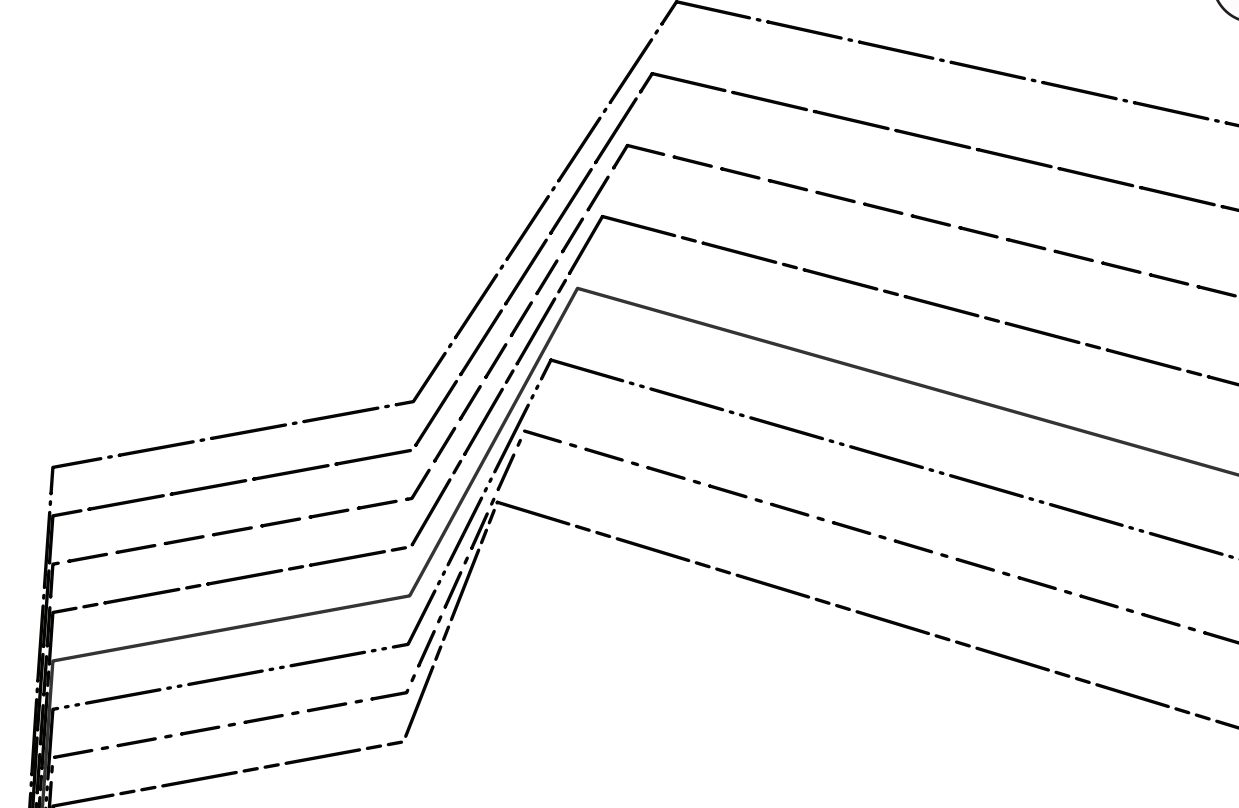
MIRROR PIECES

FRONT



- SIZE 0/2
- SIZE 4/6
- SIZE 8/10
- SIZE 12/14
- SIZE 16/18
- SIZE 20/22
- SIZE 24/26
- SIZE 28/30

All Seam  
 M  
 N  
 S  
 Bo



F|S

FABRICS-STORE.COM

*Our linen is nothing short of addicting*



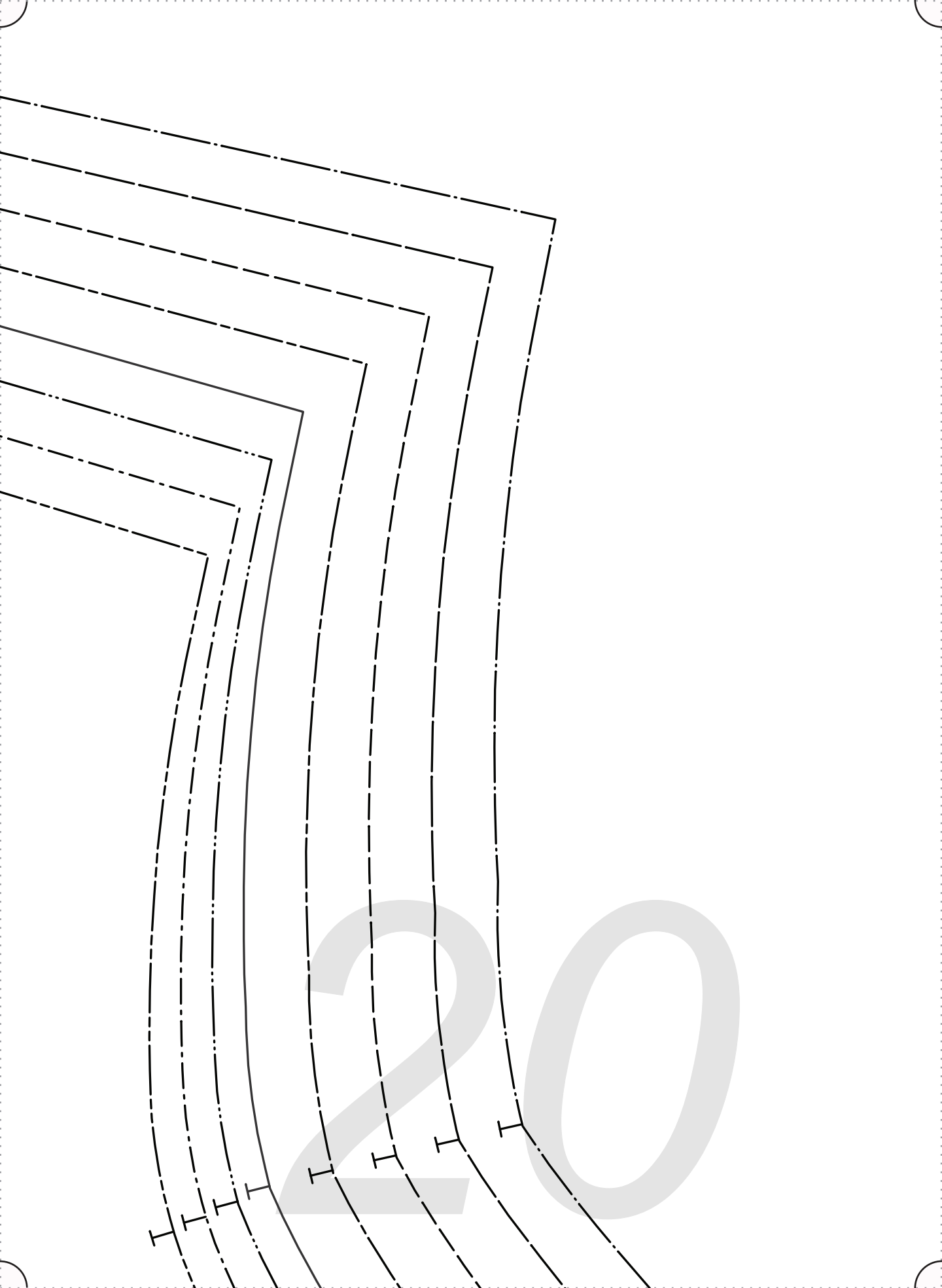
19

“Jane”

#FabricStoreJanePattern

FRONT





F|S

FABRICS-STORE.COM

*Our linen is nothing short of addicting*

“Jane”

#FabricsStoreJanePattern

All Seam Allowances Included

Main seams: 3/8"

Neckline: 3/8"

Sleeve Hem: 1 3/8"

Bottom Hem: 1 3/8"

POCKET  
CUT 2

---

DIRECTION OF STRIPES

---

21

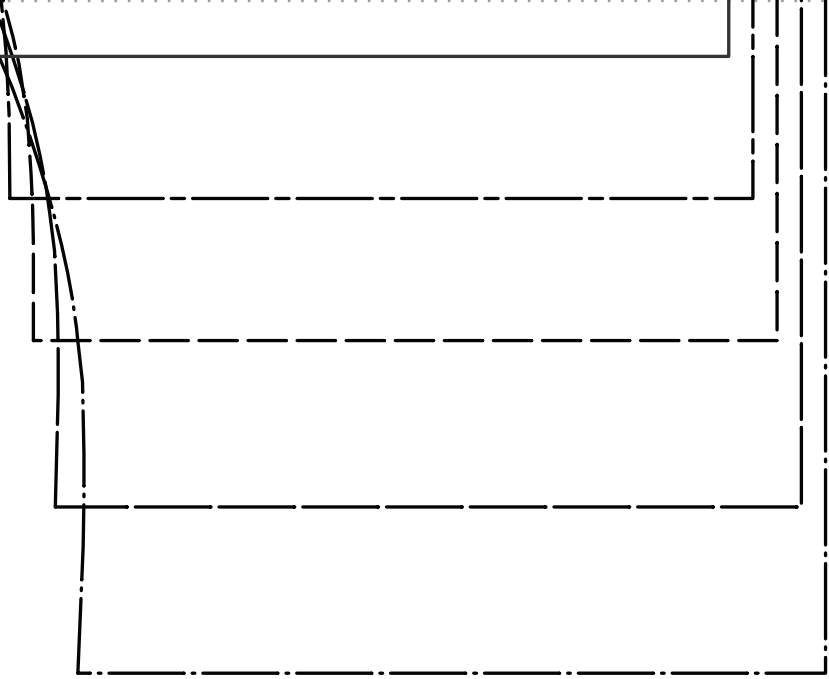
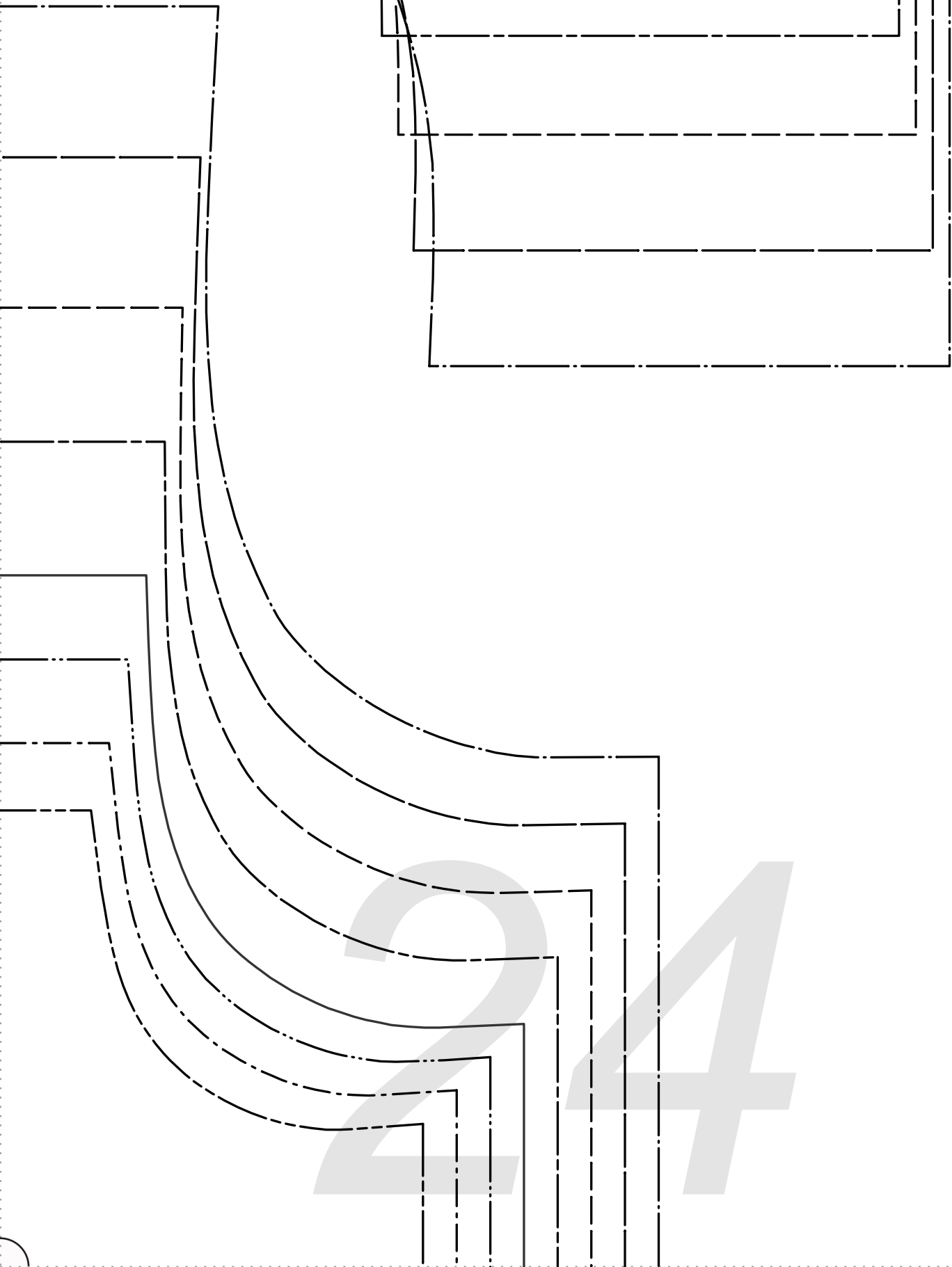
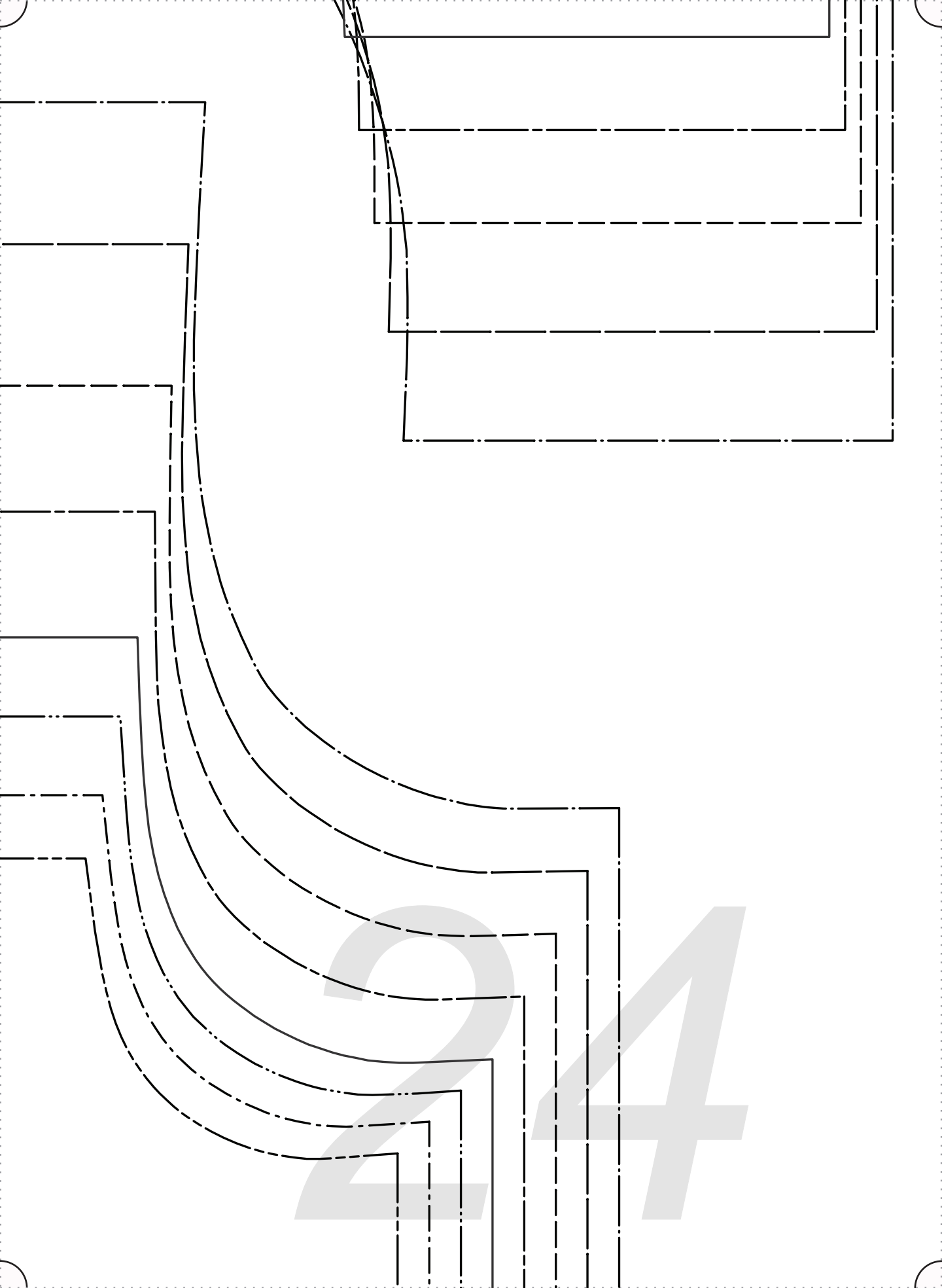
FRONT FACING  
CUT 2  
MIRROR PIECES

SIZE 0/2	-----
SIZE 4/6	-----
SIZE 8/10	-----
SIZE 12/14	-----
SIZE 16/18	-----
SIZE 20/22	-----
SIZE 24/26	-----
SIZE 28/30	-----

All Seam Allowances Included  
Main seams: 3/8"  
Neckline: 3/8"  
Sleeve Hem: 1 3/8"  
Bottom Hem: 1 3/8"



23



# CUT 2 MIRROR PIECES

GRAINLINE

SIZE 0/2 \_\_\_\_\_

SIZE 4/6 \_\_\_\_\_

SIZE 8/10 \_\_\_\_\_

SIZE 12/14 \_\_\_\_\_

SIZE 16/18 \_\_\_\_\_

SIZE 20/22 \_\_\_\_\_

SIZE 24/26 \_\_\_\_\_

SIZE 28/30 \_\_\_\_\_

**All Seam Allowances Included**

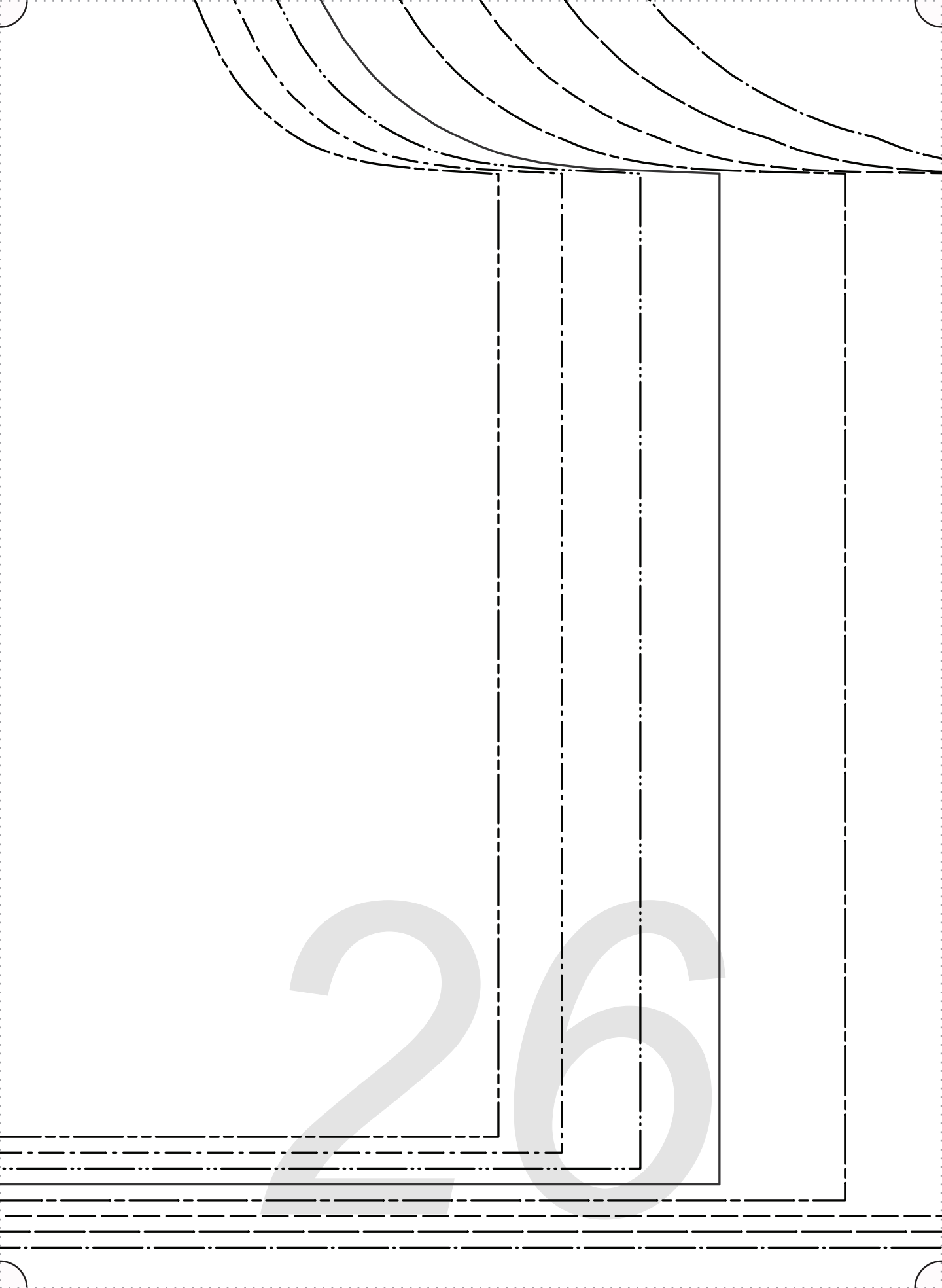
Main seams: 3/8"

Neckline: 3/8"

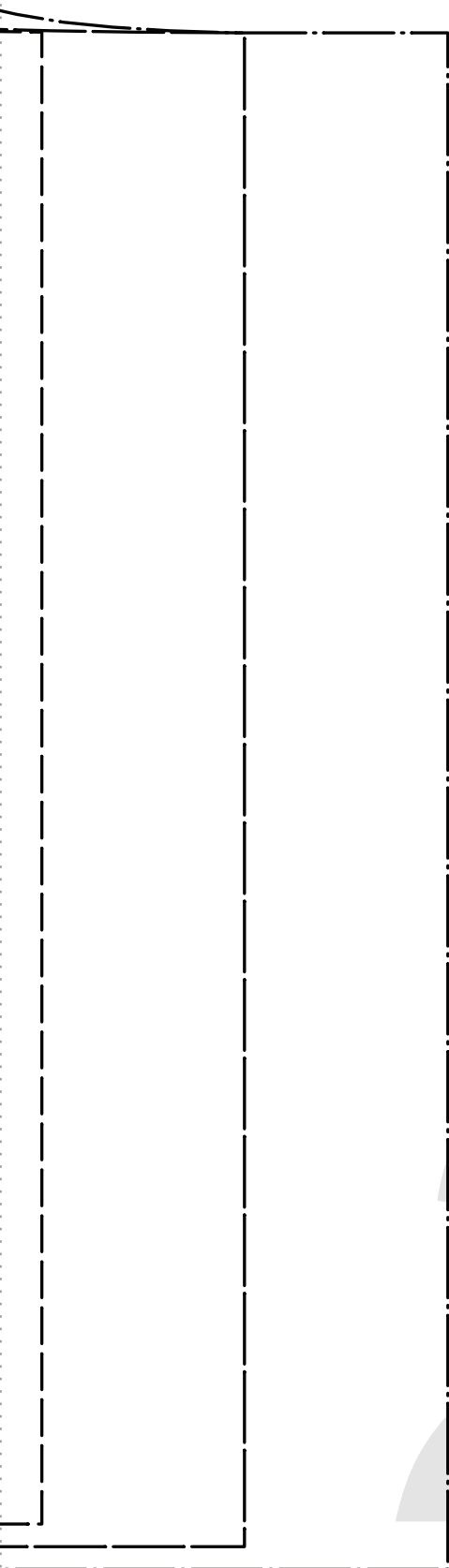
Sleeve Hem: 1"

Bottom Hem: 1"

25



26



127



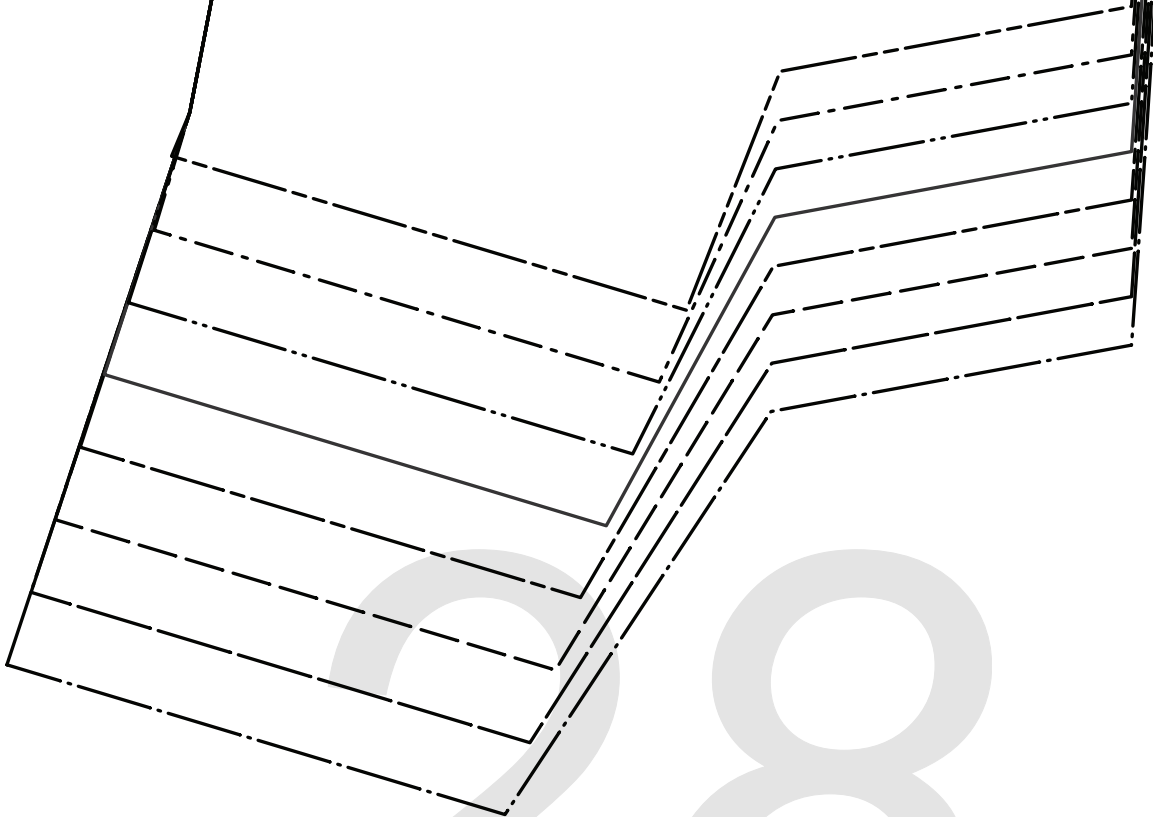
#FabricStoreJanePattern

“Jane”

*Our linen is nothing short of addicting*

FABRICS-STORE.COM

F|S



28

# “Jane”

#FabricStoreJanePattern

BACK

CUT 1 ON FOLD

All Seam Allowances Included

Main seams: 3/8"  
Neckline: 3/8"  
Sleeve Hem: 1 3/8"  
Bottom Hem: 1 3/8"

<u>SIZE 0/2</u>
<u>SIZE 4/6</u>
<u>SIZE 8/10</u>
<u>SIZE 12/14</u>
<u>SIZE 16/18</u>
<u>SIZE 20/22</u>
<u>SIZE 24/26</u>
<u>SIZE 28/30</u>

CUT ON FOLD OF FABRIC



29

# F|S

FABRICS-STORE.COM

*Our linen is nothing short of addicting*

GATHER

30

---

# *Thank you*

---

*We work hard on making our patterns beautiful enough to meet your standards.*

*If you feel like sharing praise or helpful criticism, please send us your comments to [ask@fabrics-store.com](mailto:ask@fabrics-store.com)*