

F | S

FABRICS-STORE.COM

Our linen is nothing short of addicting

Classic Bedding Collection

Part I

As part of our Classic Bedding Collection, this 100% linen duvet is as attractive as it is comfortable. Perfect for year round use: warm in winter, cool in summer.

Sizes: Twin, Full/Queen, King & California King



Classic Linen Duvet Cover

As an indulgent and sensible investment for bedding, linen is an attractive, naturally comfortable and durable choice. Here we present everything you will need to know for the cutting and fine sewing of your own duvet cover.

Fully illustrated instructions for the advanced beginner, requiring only a straight-stitch sewing machine.



PICTURED: TOP-BLEACHED WHITE LINEN DUVET COVER. BOTTOM- REVERSIBLE DUVET COVER IN ASPHALT AND NINE IRON WITH BEE EMBROIDERY.

CLASSIC LINEN DUVET COVER

A duvet cover crafted in 100 percent linen is as luxuriously attractive as it is comfortable and inviting for a cozy night's sleep. Becoming softer with each washing and lasting several years, it is both an indulgent and sensible investment.

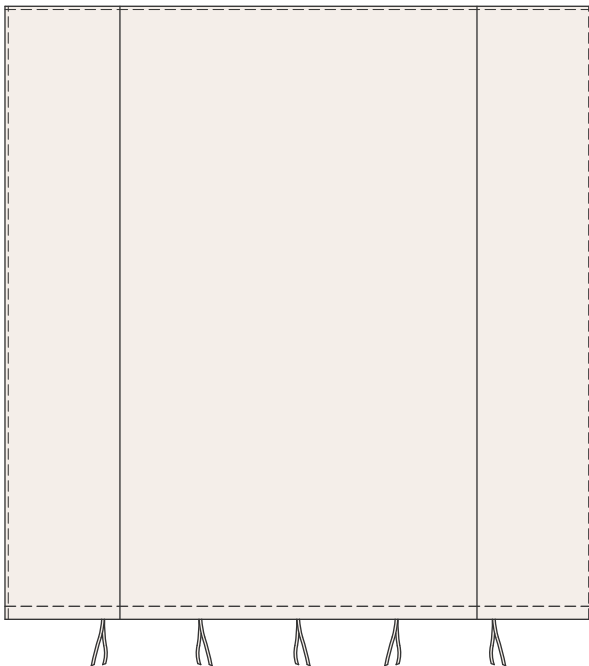
Pattern directions and yardage guides are specified for all bed sizes. Also included are yardage provisions for the option of making your duvet cover in all one color, or reversible with a different color on each side.

Fully illustrated instructions are written with the advanced beginner in mind, requiring only the use of a straight stitch sewing machine. The top and sides are double stitched with a 3/8" top stitched border. The bottom is open with a 2 inch deep hem and tie closures.

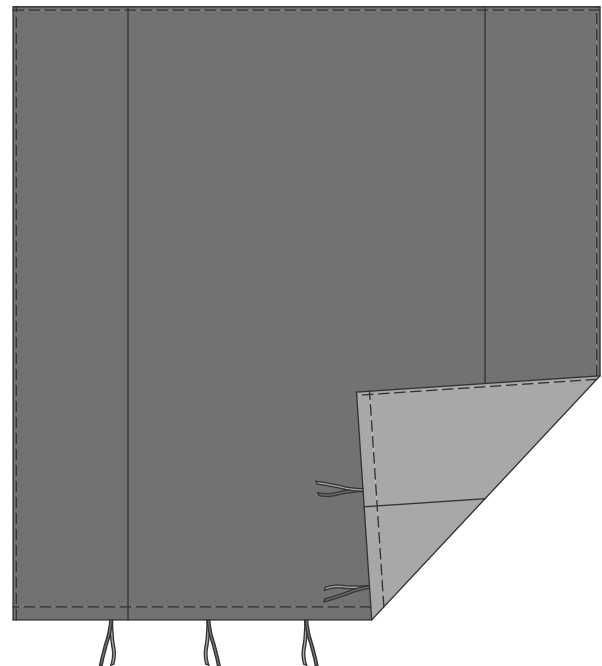


Bonus feature! We have also included machine-embroidery design files of a stylish "bee" to add an optional designer touch. Also included is a printable template to embroider the design by hand. (See page 20)

Single Color Option (Same color on both sides)



Duo-Color Option (Reversible to alternate color)



FABRIC & SUPPLIES NEEDED

Fabric: Recommended for our medium and lightweight linen. Please refer to the bed size charts for the amount of fabric you will need. Click to browse our entire collection of our popular [5.3 oz Middle Weight IL019](#), our higher thread count [5.3 oz Middle Weight IC64](#), and for a more airy experience, our [3.5 oz IL020 Handkerchief Linen](#).

Thread: 2 spools all purpose thread, matching the color of your linen.

Scissors: Sharp scissors for cutting fabric.

Straight pins: Dressmakers straight pins, preferably with glass ball heads (plastic ball heads can melt!)

For markings: Fabric marking pencils, chalk or air/water erasable markers, or tracing paper... whatever your preferred method is. Be sure to test your method on a scrap of spare fabric before marking your actual project fabric.

Sewing machine: You will only need a straight-stitch machine for this pattern- there is no need for a serger or overlock machine since all seams are clean finished. A standard Universal needle in size 80/12 is recommended.

Iron: A steam iron with a non-stick surface is recommended, along with a press cloth.

Cardboard grid cutting mat (optional): These economical cardboard mats are generally sized 36x60 inches each and are excellent for cutting your panels true on-grain with accurate squared corners. Purchasing two or three to join together and put on top of your bed makes a nice cutting area for sizeable projects when you do not have a large cutting table.

SIZING AND YARDAGE CHARTS

Yardage needed of unwashed 57" Linen			
Shrinkage up to 10% is already calculated and rounded up to the nearest yard.			
Bed Size	Finished Size	One Color	Duo Color
Twin	70" width x 92" length	9 yards total + 1 pillowcase	6 yards each color + 2 pillowcases in each color
Full/Queen	90" width x 92" length	12 yards total + 2 pillowcases	6 yards each color - none left over
King	106" width x 92" length	12 yards total - none left over	6 yards each color - none left over
Cali King	104" width x 100" length	13 yards total - none left over	7 yards each color - none left over

Pre-washing:

You will want to prewash and dry your linen fabric in the same manner you would your finished items. This will soften your fabric, and eliminate further shrinkage in your final sewn sheets. On average, the length will shrink about 3" per each yard (about 10%). See our recommended washing instructions which come with your Linen fabric order.

Secure the raw edges with a zig-zag stitch or serger before washing to avoid fraying. For very long cuts of fabric, it may be less bulky in the wash if you fold the fabric in half and secure the two layers together on all three sides with a large basting machine stitch (about 4mm)

Remove fabric from dryer while it is still slightly moist. Press any deep creases or wrinkles using your iron's steam setting with high heat, using a protective press cloth if needed to avoid scorching. Carefully trim off the selvage edges. *Tip* You may want save the selvage edges to use creatively on other projects.

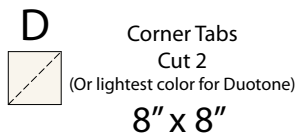
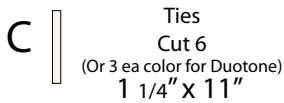
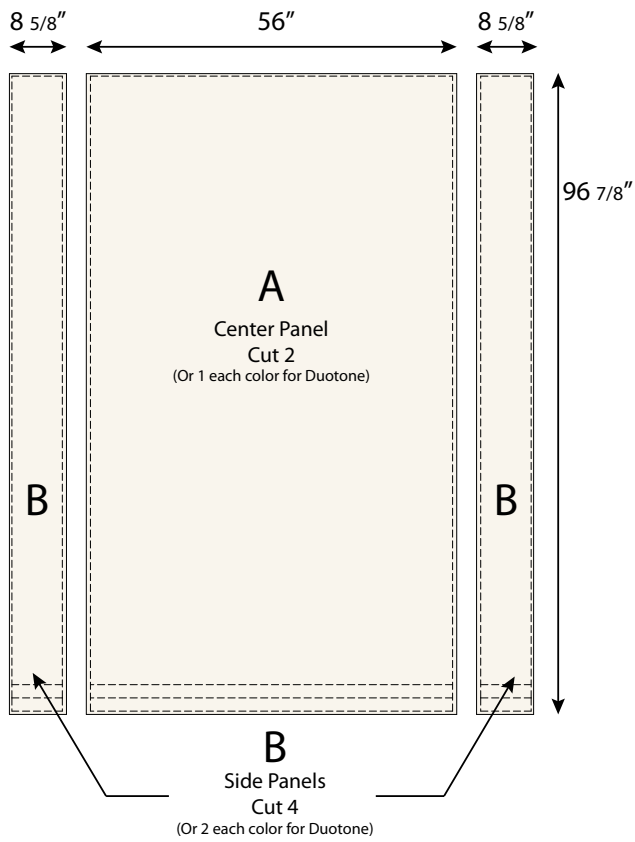
If you plan on only dry cleaning your sheets, likewise you will want to dry clean the fabric before cutting and sewing.

PATTERNS & CUTTING GUIDES

TWIN DUVET COVER

PATTERN DIMENSIONS

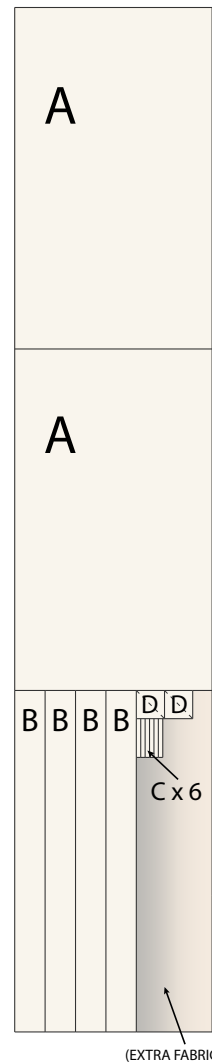
Pattern includes all seam allowances. The indicated dimensions are for the CUT lines.



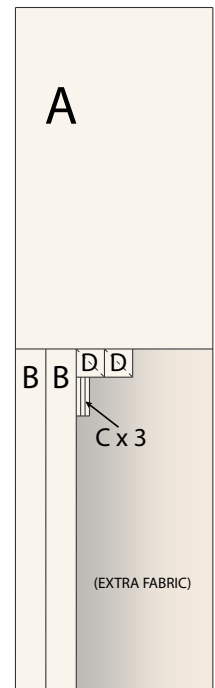
CUTTING LAYOUT

Trim selvage edges of fabric before cutting.

Single color duvet cutting layout (All pieces needed)



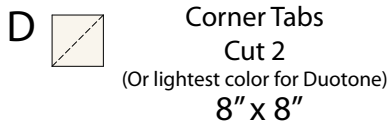
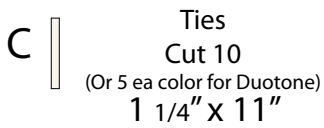
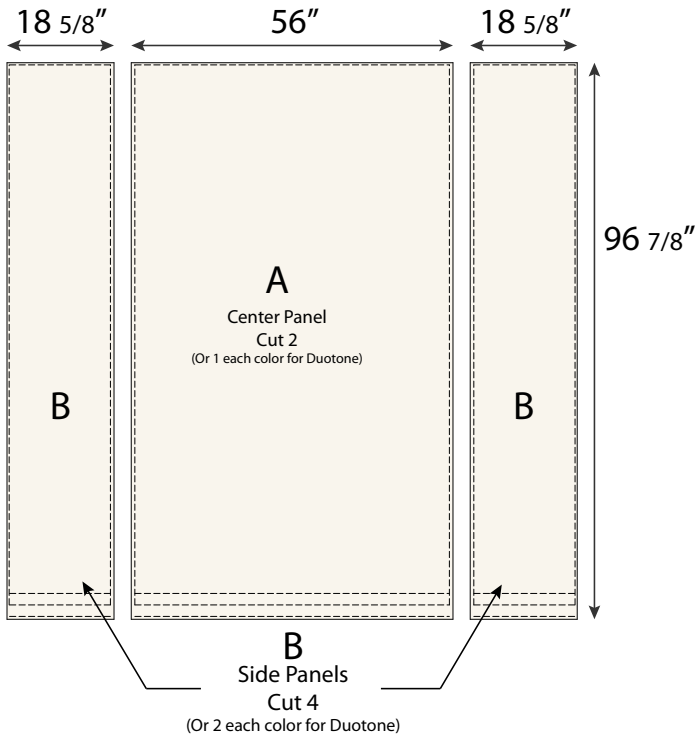
Duo-color duvet cutting layout (1 in each color)



FULL/QUEEN DUVET COVER

PATTERN DIMENSIONS

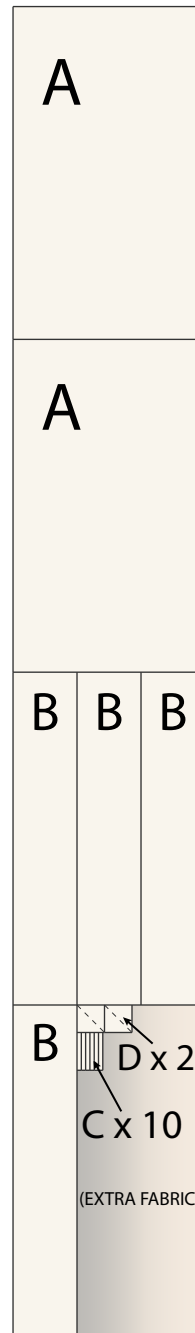
Pattern includes all seam allowances. The indicated dimensions are for the CUT lines.



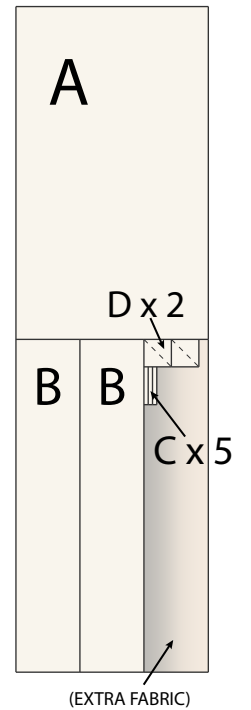
CUTTING LAYOUT

Trim selvage edges of fabric before cutting.

Single color duvet cutting layout
(All pieces needed)



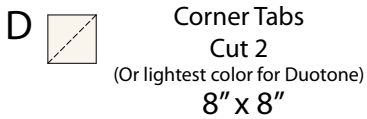
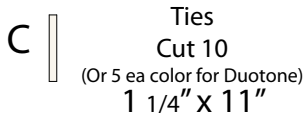
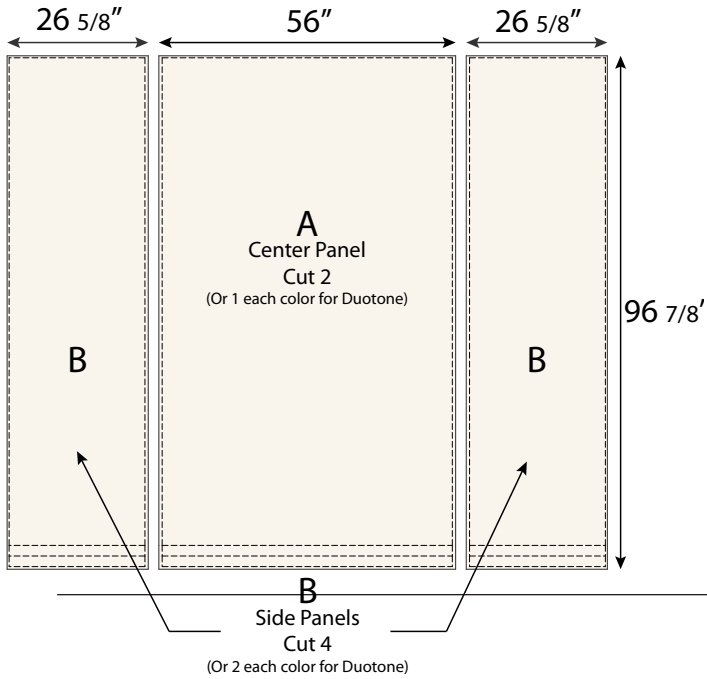
Duo-color duvet cutting layout
(1 in each color)



KING DUVET COVER

PATTERN DIMENSIONS

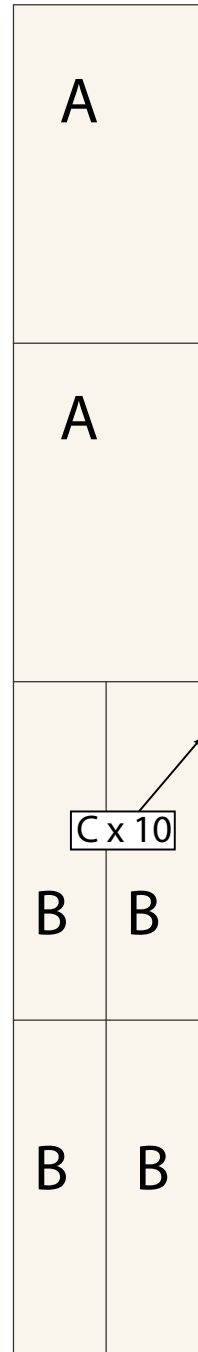
Pattern includes all seam allowances. The indicated dimensions are for the CUT lines.



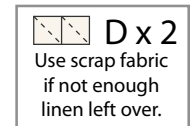
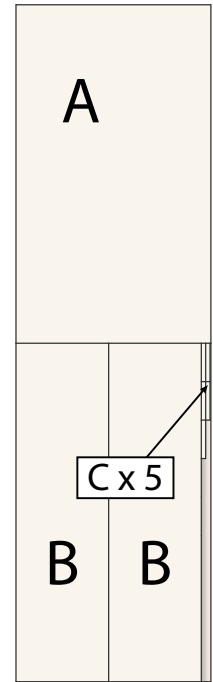
CUTTING LAYOUT

Trim selvage edges of fabric before cutting.

Single color duvet cutting layout (All pieces needed)



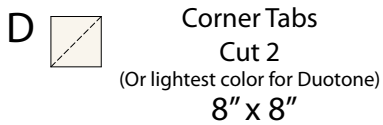
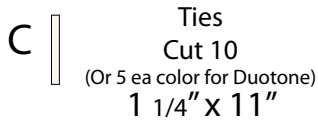
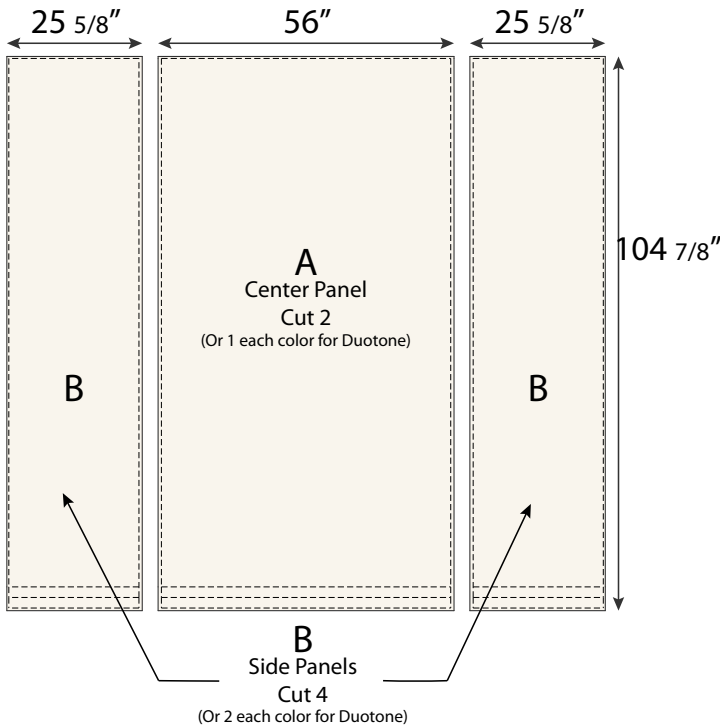
Duo-color duvet cutting layout (1 in each color)



CALIFORNIA KING DUVET COVER

PATTERN DIMENSIONS

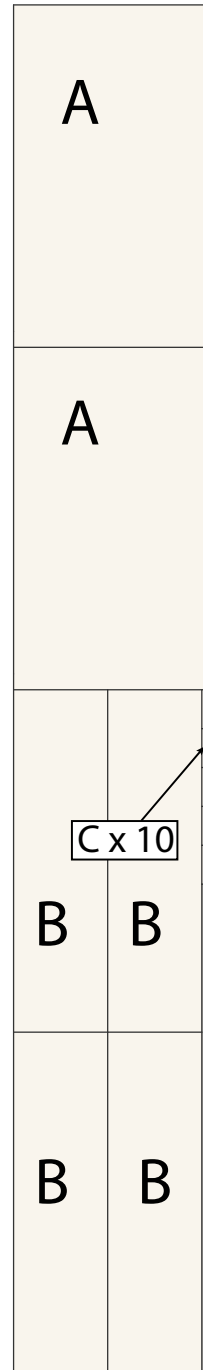
Pattern includes all seam allowances. The indicated dimensions are for the CUT lines.



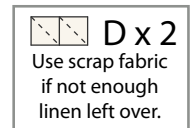
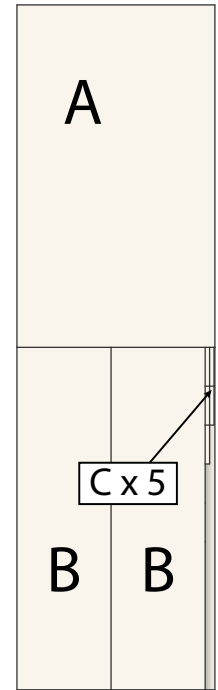
CUTTING LAYOUT

Trim selvage edges of fabric before cutting.

Single color duvet cutting layout
(All pieces needed)



Duo-color duvet cutting layout
(1 in each color)



SEWING & PREPARATION TIPS:

Sewing with quality linen from Fabrics-Store is very enjoyable! Linen is a stable fabric that does not easily shift or slip, which is a very helpful characteristic for sewing a neat and even seam with little effort. You do not need to “push” or “pull” the fabric while sewing... just simply guide it.

Fine Seaming: To ensure your seaming will last as long as your linen bed sheets, we encourage “single-needle” clean finished seaming with our step-by-step instructions. Setting the stitch length on your sewing machine to 2mm (about 12-14 stitches per inch) makes for a very durable seam, and is also an attractive indication of fine tailoring.

Instructions are written for the panel seams to be joined with French seams. If you are new to sewing French seams or need a refresher, it is recommended you sew a sample swatch for practice.

Alternate Seaming: If you instead prefer to stitch your seams regularly and serge the raw edges, simply sew the seams with the full 5/8” allowance. You can then serge the raw edges, allowing the machine to trim 1/8” off the edges. This will result in seam allowances finishing at 1/2”.

Pressing: For best results, it is highly recommended that you press your seams as you finish sewing each of them. Pressing with a steam iron (and press cloth if needed) will help “set” the stitches into the fabric. You will find it is much easier to press your seams “as you go” instead of trying to press them all after the sheets are finished.

Sewing Glossary: If certain sewing terms and techniques are new to you, please refer to the sewing glossary at the end of this document.

Keep in mind that washed and handled linen can shrink and ripple in some edges. This may cause you to feel like your panels do not “line up”. If this happens, start with your pins at each end and work your way to the center of each section, easing in any slight excess that one side might have. If you feel there was a cutting error, you could trim a little off the side that is too big.

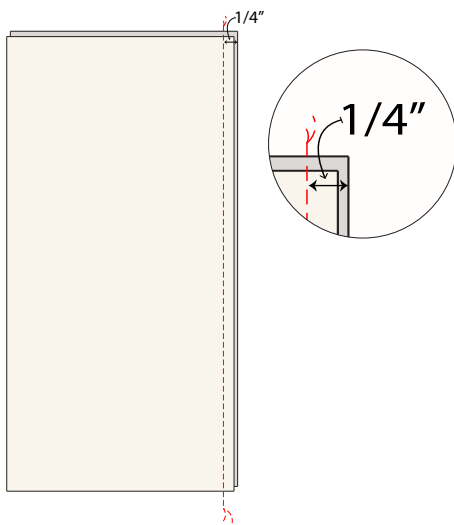
SEWING INSTRUCTIONS

In the following pages, you will find simple step-by-step instructions and illustrations on how to assemble and sew your beautiful duvet cover from start to finish in our fine linen.

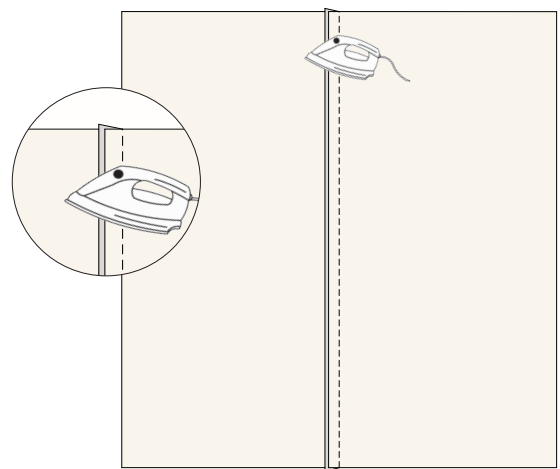
Let's first start with a spare scrap of fabric to practice a French seam.

FRENCH SEAM (PRACTICE)

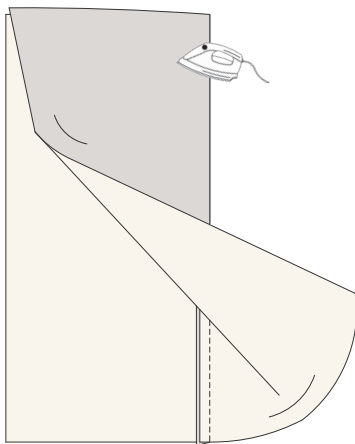
Step 1: With WRONG sides together, align the two edges to be seamed with 1/4" stitch.



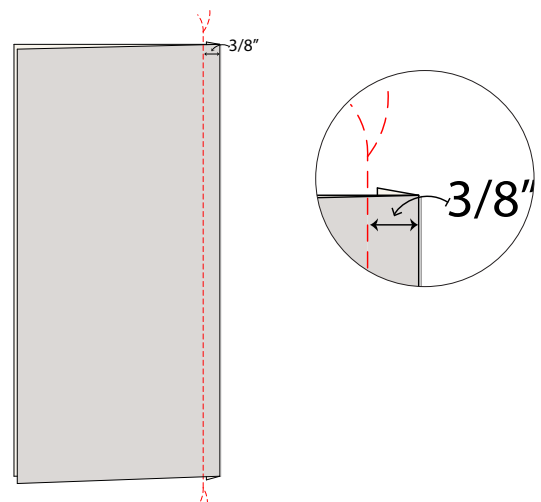
Step 2: Press seam allowance neatly to one side. Turn over and press out any lip edges.



Step 3: Fold the fabric at the stitch line and press neatly.



Step 4: Sew the second seam at 3/8", encasing the raw seam allowance inside.



FRENCH SEAM: PHOTO DETAIL

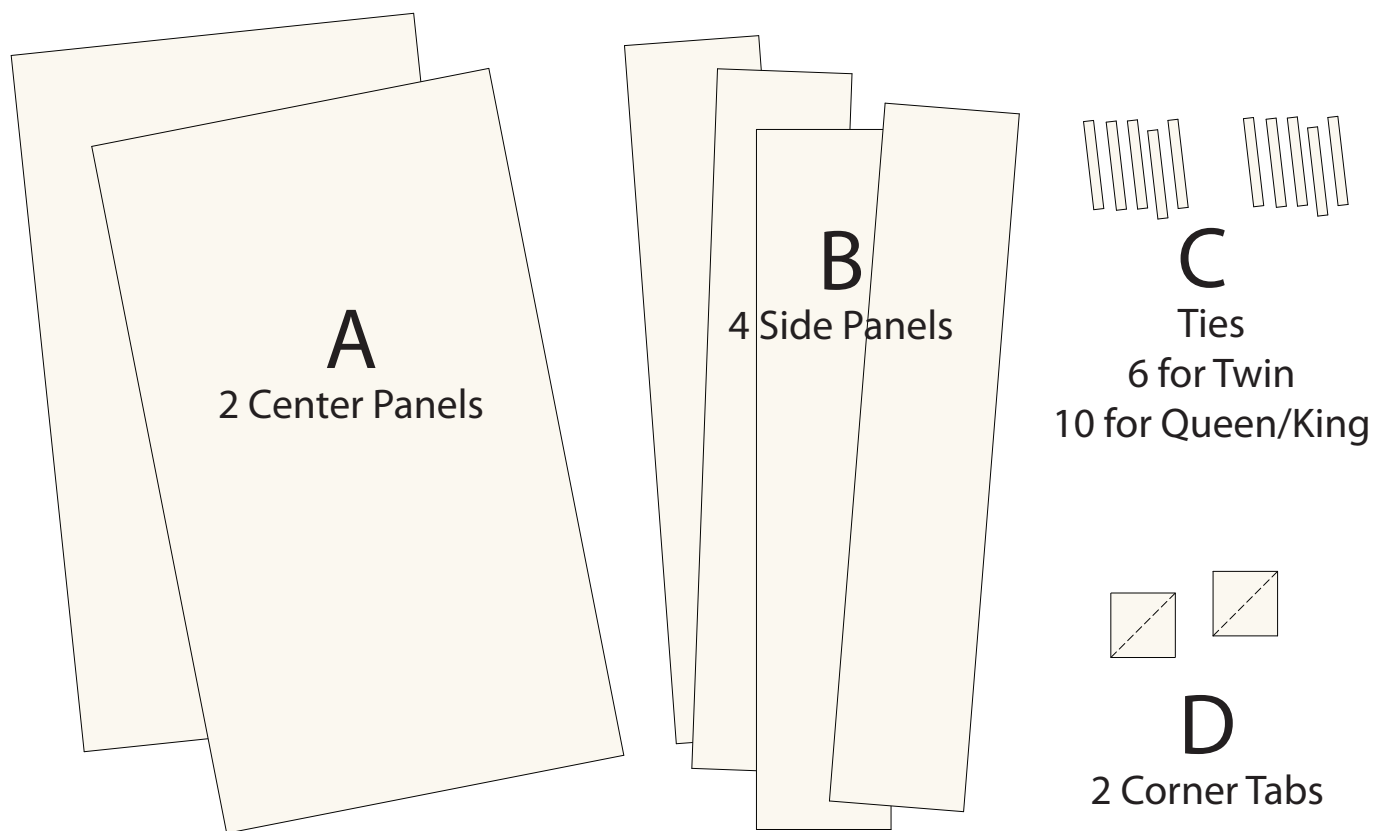
Inside View:



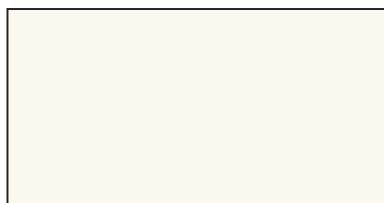
Outside View:



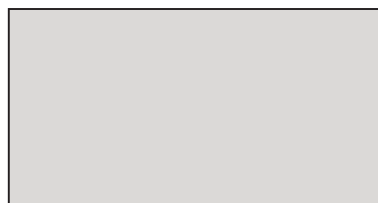
REFERENCE OF PIECES NEEDED



FABRIC REFERENCE KEY



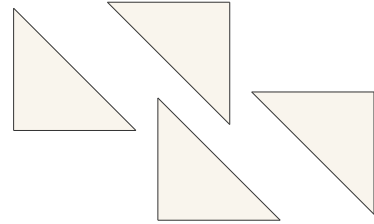
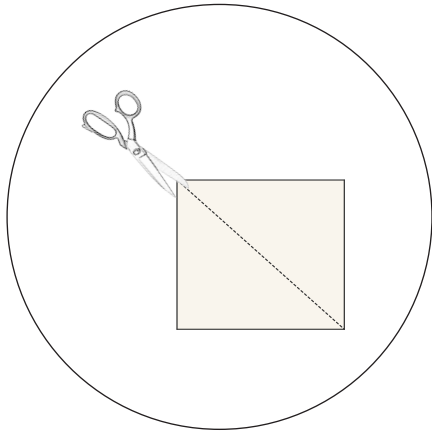
RIGHT SIDE OF FABRIC



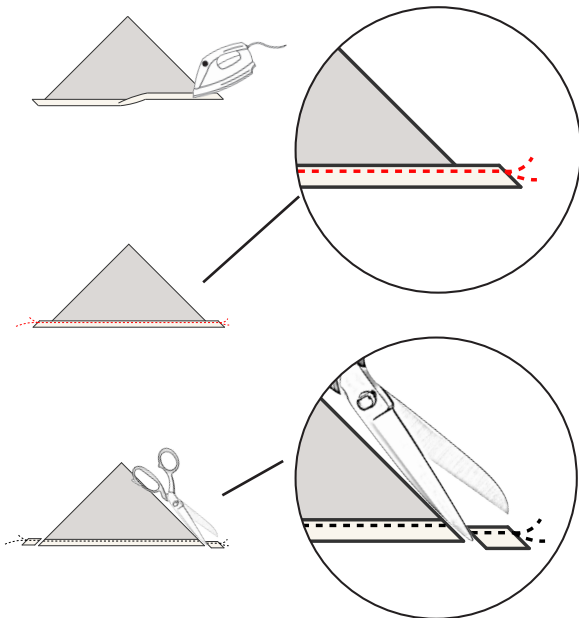
WRONG SIDE OF FABRIC

1. PREPARING THE CORNER TABS

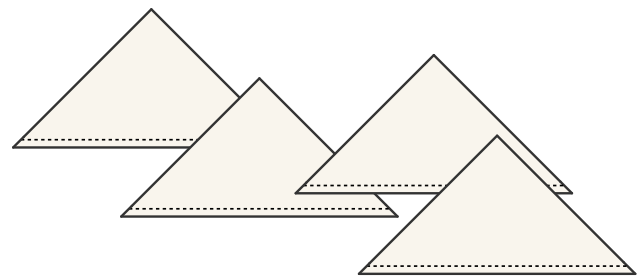
Cut the 2 "C" pieces in half diagonally.



With wrong side of fabric facing up, turn the diagonal edge up $\frac{3}{8}$ " twice. Hem the edge, and trim the corners.



You now have 4 prepared corner tabs.

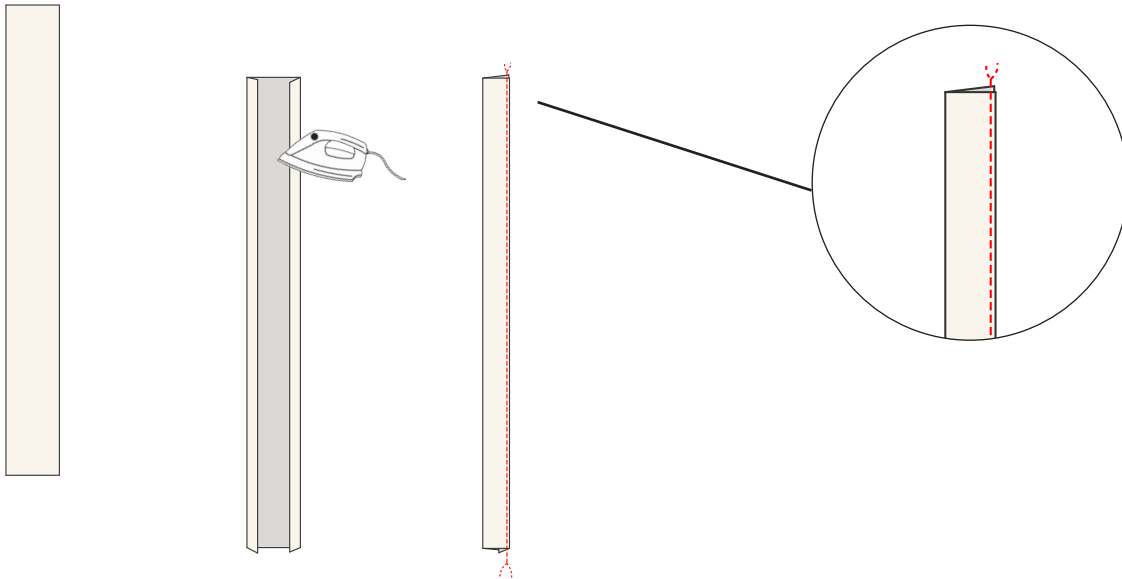


2. PREPARING THE TIES

There are two way you might like to sew your ties. One is simply folded and topstitched, the other is stitched and turned for “clean finish”.

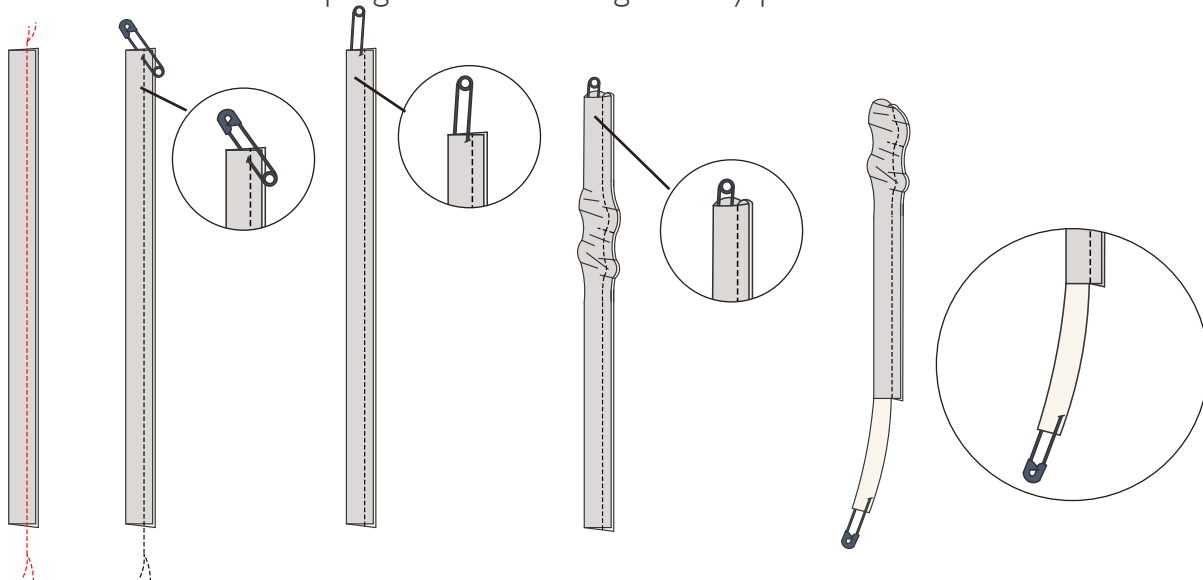
FOLD/TOPSTITCH METHOD

1. Fold each edge under 1/4" and press.
2. Next, fold in half and press as shown.
3. Topstitch 1/16th inch (“edgestitch”) from the folded edges to secure. If desired you may also edgestitch the other edge for a uniform look.



TURN/CLEAN FINISH METHOD

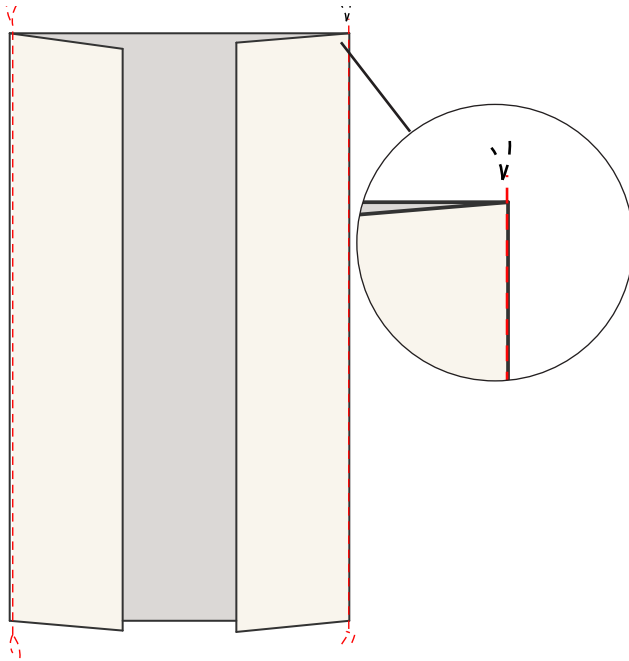
1. Fold strip lengthwise with right sides together.
2. Stitch a 1/4" seam
3. Turn the seamed strip right side out using a safety pin or tube turner.



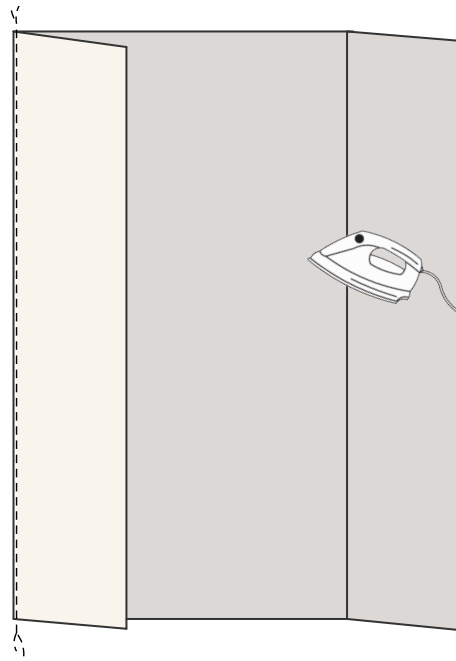
3. SEAMING THE PANELS

Next we will seam the Side Panels (B), to each of the Center Panels (A) using French seams. 1. With wrong sides together, stitch a 1/4" seam. 2. Press the seam allowance neatly to one side. 3. Next fold fabric right sides together at each stitch line. 4. With seam allowance encased in the fold, stitch another seam 3/8" from the edge. 5. Neatly press the finished seam. Repeat the steps for the second panel.

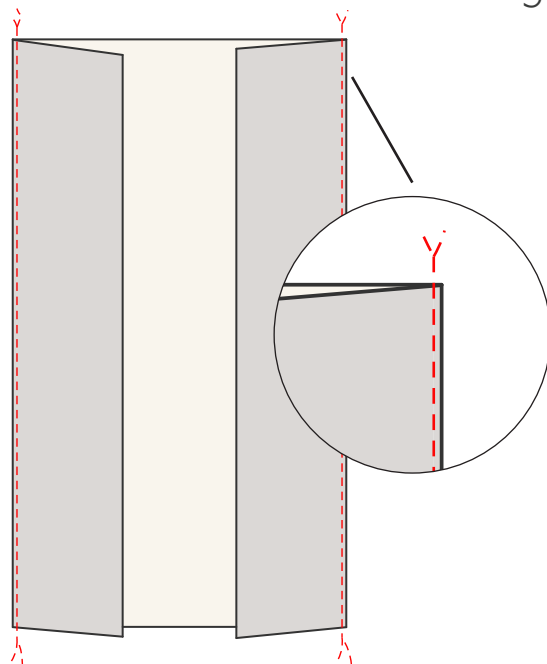
1



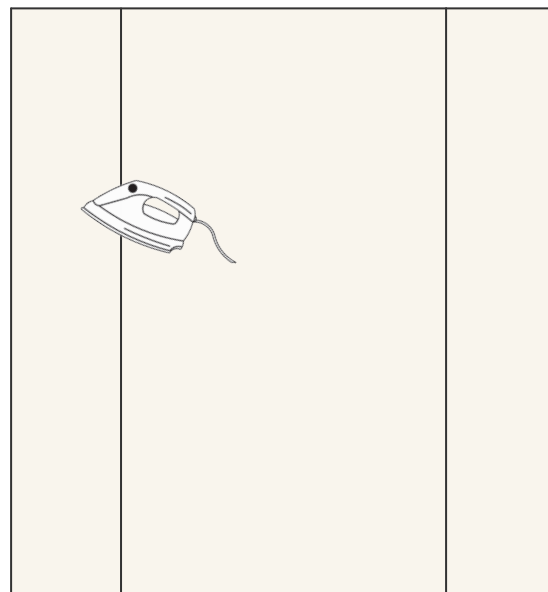
2



3,4

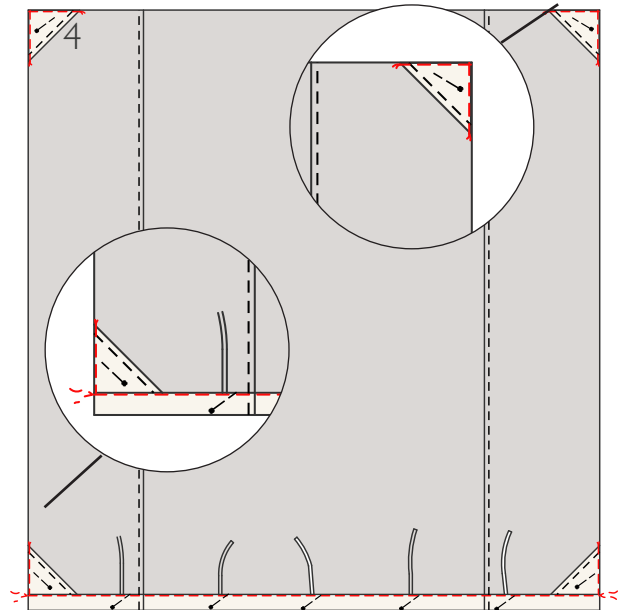
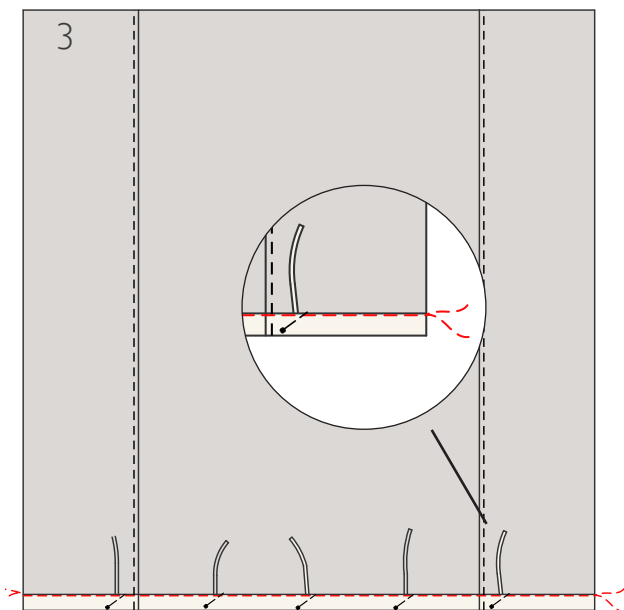
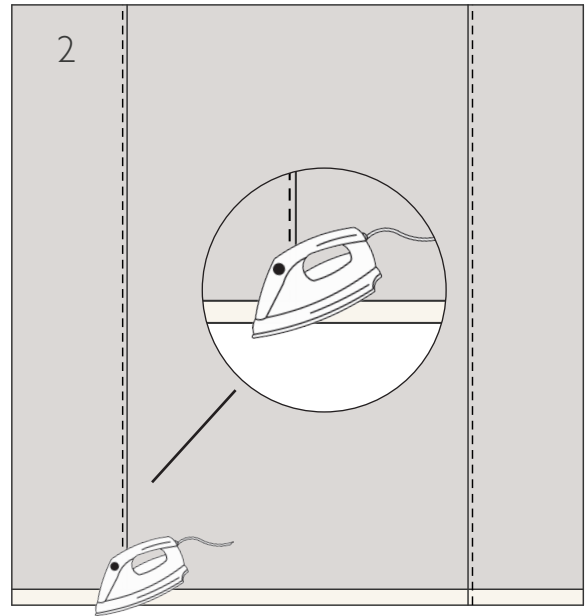
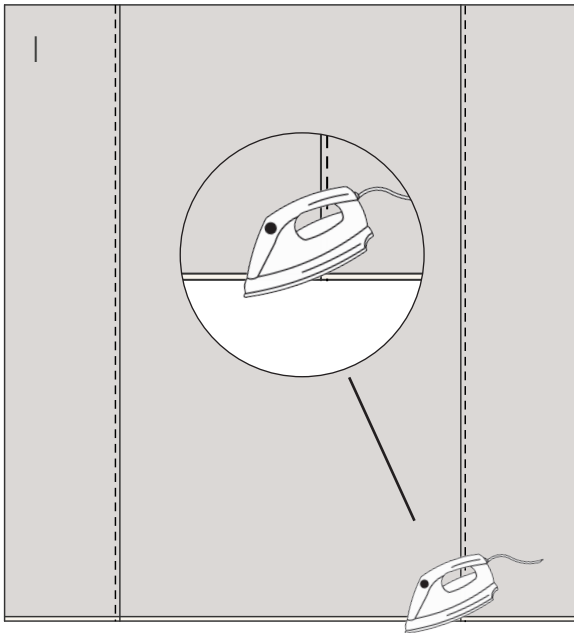


5



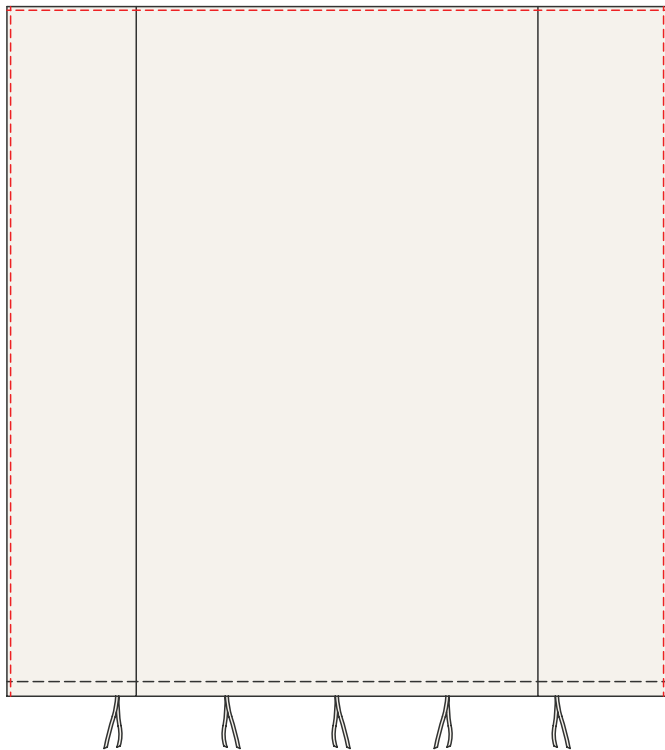
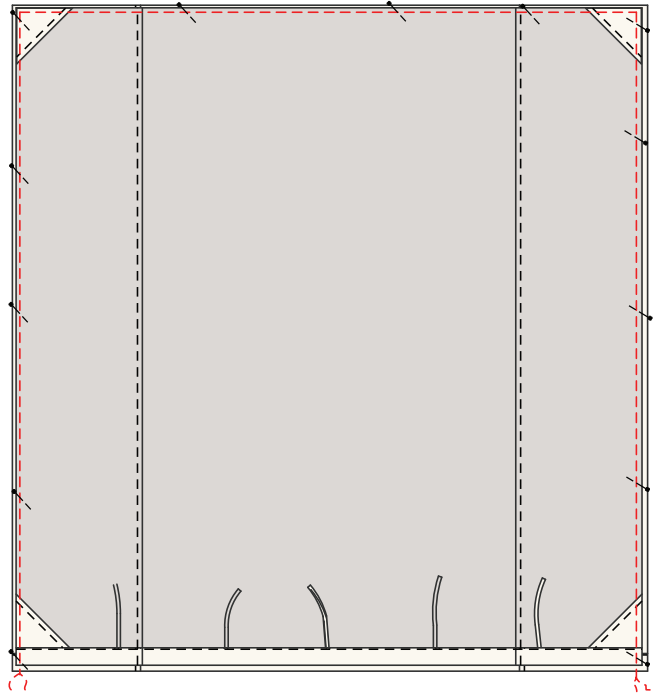
4. HEM THE PANELS WITH TIES

With wrong side of panels facing up, press the hem allowance. 1. Fold up 1/2" and press 2. Fold again at 2" and press. 3. Mark 5 equal locations at hem, and insert ties about 1/2" deep into hem and pin into place. Topstitch hem at 2". 4. On one panel, insert the lower corner tabs into the hem and top corners as shown, and pin into place. Topstitch hem at 2" and baste upper corners with 1/4" seam allowance.



5. ATTACH TOP AND BOTTOM TOGETHER

With right sides of front and back panels together, pin in place around sides and top. Sew a scant $\frac{3}{8}$ " seam around the sides and top. Take special care in the corners, and to catch both sides of the fabric. After sewing, inspect both sides to make sure your seaming is secure before going to the next step.



Turn the duvet cover right side out, and press neatly along the seamed edges. Topstitch around the seamed edges a final $\frac{3}{8}$ ". This will conceal and contain the inner raw edges from fraying.

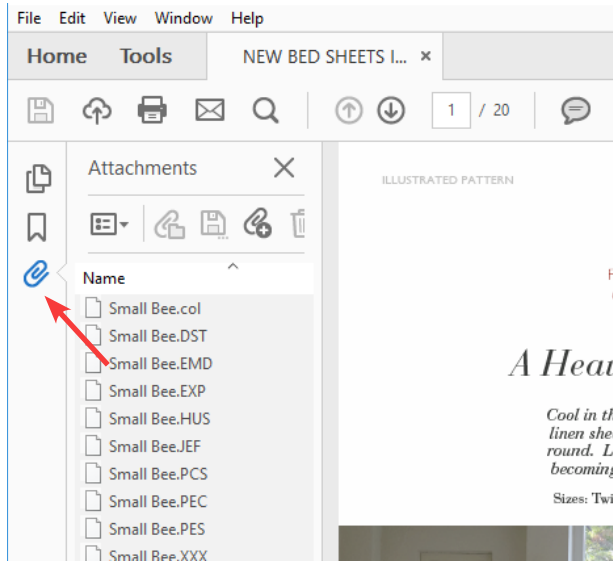
Congratulations!

*You have finished your
linen duvet cover.*

Enjoy!

Bonus Embroidery Design

We have included a machine-embroidery small “Bee” design with this PDF as an attachment. Included are most of the popular embroidery machine formats. Alternatively, for hand-embroidery there is printable template/guide. Simply trace the design onto your fabric to embroider. This little bee is approximately 4 x 2.8 inches. Add a decorative border of these classic, whimsical bees for a designer touch. If desired, add an additional linen boarder to highlight the embroidery.

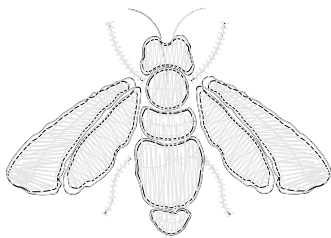


To access the file attachments, be sure you are viewing this PDF in the latest Adobe Acrobat Reader.

You can get/update the app for free here:

<https://get.adobe.com/reader/>

In Acrobat Reader, click on the “paper clip” icon to reveal the included files. Right-click on the desired embroidery file to download to your computer. Attached PDF files can simply be clicked to open and print.



Glossary

Basting Stitch: A temporary hand or machine loose or long stitch to hold a seam in place before sewing the final permanent stitching.

Bias grain: In woven fabrics, this is the diagonal direction at 45 degrees to the grain and crossgrain. There are two bias directions in the cloth, perpendicular to each other.

Buttonhole: A slit in the fabric to fasten a button. The raw edges of the slit are finished with a machine or hand sewn zig-zag stitch.

Edge stitch: A row of top stitching very close to a seamed edge or folded edge, usually about 1/16th of an inch.

Fabric- right side: The side of the fabric which will be the exposed, outside part of a garment.

Fabric- wrong side: The inside of the fabric which will be the unexposed side or inside of a garment.

French seam: A seam sewn in two steps to encase the raw edges of the fabric within itself, giving a clean finish. 1- Wrong sides together, sew 1/4" seam. 2- Turn right sides together, stitch 3/8" seam. Total 5/8" seam allowance

Grainline- cross grain: The direction of fabric going from selvage edge to selvage edge. In woven fabric, these would also be known as the weft threads of the weave.

Grainline- on grain: The direction of fabric running parallel to the selvage edge of the cloth. This is also referred to as the "lengthwise grain". In woven fabric, these would also be known as the "warp" threads of the weave.

Notch- outward: Markings on the pattern that indicate an outward triangular cut outside the seam allowance. Notch markings will be arranged to show where two seam edges join properly together. A single wedge will often indicate a front piece, and 2 to 3 wedges together can indicate back pieces.

Notch- snip: Markings on the pattern that indicate a small "snip" into the seam allowance. Notch marking will be arranged to show where two seam edges join properly together. A single notch will often indicate a front piece, and 2 to 3 notches together can indicate back pieces.

Overlock machine: A specialized sewing machine designed to sew and cut along the raw edge of a fabric seam with a networked stitch to secure the edges from fraying. Also known as a "serger" machine.

Press cloth: A piece of cloth used to lay over a garment to protect it while ironing from burning or scorching. Usually made of cotton or linen or wool.

Raw edge: The cut edge of fabric. If not secured with stitching or a finishing, the raw edge of a fabric can fray or unravel.

Seam allowance: The distance from the cut edge of a pattern piece to the sewing line. Seam allowances can vary, so be sure to double check the indicated amounts on your pattern.

Thank you

*We work hard on making our patterns beautiful enough
to meet your standards.*

*If you feel like sharing praise or helpful criticism,
please send us your comments to [ask@fabrics-
store.com](mailto:ask@fabrics-store.com).*