

F|S

FABRICS-STORE.COM

Our linen is nothing short of addicting

BOXY PENCIL CASE



THE LINEN PENCIL CASE

*Linen is perfect choice for a soft
yet structured pencil case.*

Available in one size

866.620.2008 ASK@FABRICS-STORE.COM FABRICS-STORE.COM

PATTERN DETAILS

#FABRICSSTOREBOXYPENCILCASEPATTERN PENCIL CASE PATTERN



- Fully lined
- Zip closure
- Pull tab

SEWING INSTRUCTIONS

This pattern is featured on our Fabrics-Store.com blog "The Thread". Simply enter "Boxy Pencil Case" in the search bar. There you will find step-by-step photo instructions and can ask questions, post comments or share you progress. Click [HERE](#) to visit The Thread blog or paste the link below in your browser window.

<https://blog.fabrics-store.com/>

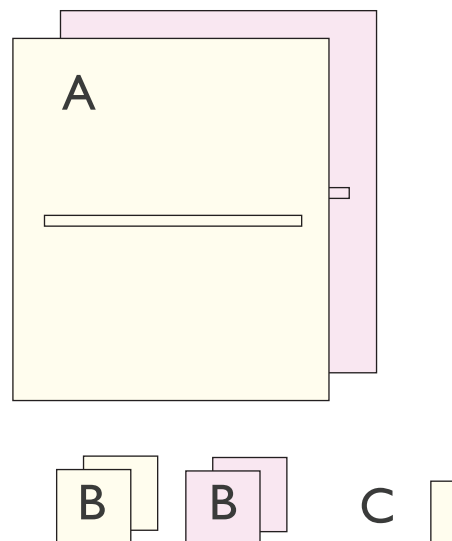
CUTTING GUIDE

You will need the following pattern pieces to make your pencilcase

2 x **A** Main pencilcase piece
Use drafting guide on next page
Cut 1 in outer fabric, 1 in lining, 1 in interfacing

4 x **B** End pieces:
3.5" x 3.5"
Cut 2 in outer fabric, 2 in lining

1 x **C** Pull tab
1 3/4 x 2 1/2"
Cut 1 in outer fabric

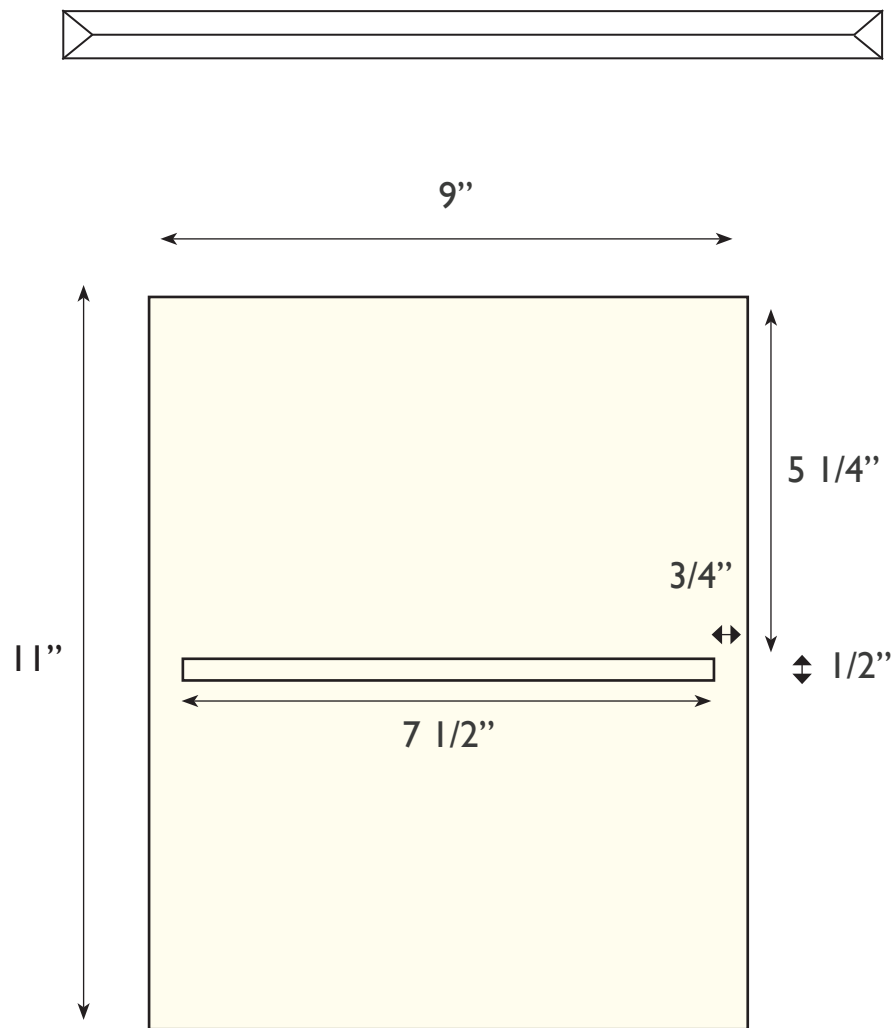


All seam allowances are included and are 1/2" unless otherwise indicated.

PATTERN DRAFTING GUIDE

Main piece 'A'

1. Draft main rectangle 11" x 9"
2. In the centre, mark a box 1/2 x 7 1/2" long. This is 5 1/4" from the short edges and 3/4" in from the long edges as shown.
3. Complete the inner box, by marking a line down the centre, stopping 1/4" from each end. Draw diagonal lines connecting to the outer box as pictured below.



Thank you

*We work hard on making our patterns beautiful
enough to meet your standards.*

*If you feel like sharing praise or helpful criticism, please
send us your comments to ask@fabrics-store.com*